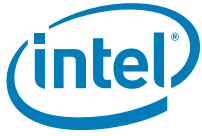


Intel[®] Core[™] i7-900 Desktop Processor Extreme Edition Series and Intel[®] Core[™] i7-900 Desktop Processor Series and LGA1366 Socket

Thermal and Mechanical Design Guide

March 2011





INFORMATION IN THIS DOCUMENT IS PROVIDED IN CONNECTION WITH INTEL PRODUCTS. NO LICENSE, EXPRESS OR IMPLIED, BY ESTOPPEL OR OTHERWISE, TO ANY INTELLECTUAL PROPERTY RIGHTS IS GRANTED BY THIS DOCUMENT. EXCEPT AS PROVIDED IN INTEL'S TERMS AND CONDITIONS OF SALE FOR SUCH PRODUCTS, INTEL ASSUMES NO LIABILITY WHATSOEVER AND INTEL DISCLAIMS ANY EXPRESS OR IMPLIED WARRANTY, RELATING TO SALE AND/OR USE OF INTEL PRODUCTS INCLUDING LIABILITY OR WARRANTIES RELATING TO FITNESS FOR A PARTICULAR PURPOSE, MERCHANTABILITY, OR INFRINGEMENT OF ANY PATENT, COPYRIGHT OR OTHER INTELLECTUAL PROPERTY RIGHT.

UNLESS OTHERWISE AGREED IN WRITING BY INTEL, THE INTEL PRODUCTS ARE NOT DESIGNED NOR INTENDED FOR ANY APPLICATION IN WHICH THE FAILURE OF THE INTEL PRODUCT COULD CREATE A SITUATION WHERE PERSONAL INJURY OR DEATH MAY OCCUR.

Intel may make changes to specifications and product descriptions at any time, without notice. Designers must not rely on the absence or characteristics of any features or instructions marked "reserved" or "undefined." Intel reserves these for future definition and shall have no responsibility whatsoever for conflicts or incompatibilities arising from future changes to them. The information here is subject to change without notice. Do not finalize a design with this information.

The products described in this document may contain design defects or errors known as errata which may cause the product to deviate from published specifications. Current characterized errata are available on request.

Contact your local Intel sales office or your distributor to obtain the latest specifications and before placing your product order.

Copies of documents which have an order number and are referenced in this document, or other Intel literature, may be obtained at: <http://www.intel.com/design/literature.htm>

The Intel® Core™ i7-900 desktop processor Extreme Edition series, Intel® Core™ i7-900 desktop series processor, and Intel® Core™ i7-900 desktop series processor on 32-nm process and LGA1366 socket may contain design defects or errors known as errata which may cause the product to deviate from published specifications. Current characterized errata are available on request.

Intel processor numbers are not a measure of performance. Processor numbers differentiate features within each processor family, not across different processor families. See http://www.intel.com/products/processor_number for details.

Over time processor numbers will increment based on changes in clock, speed, cache, FSB, or other features, and increments are not intended to represent proportional or quantitative increases in any particular feature. Current roadmap processor number progression is not necessarily representative of future roadmaps. See www.intel.com/products/processor_number for details.

Contact your local Intel sales office or your distributor to obtain the latest specifications and before placing your product order.

Intel, the Intel logo, Intel, Pentium, Core and Core Inside are trademarks of Intel Corporation in the U.S. and other countries.

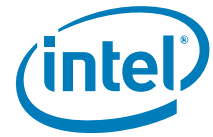
* Other brands and names may be claimed as the property of others.

Copyright © 2008–2011, Intel Corporation.



Contents

1	Introduction	9
1.1	References.....	10
1.2	Definition of Terms	10
2	LGA1366 Socket	13
2.1	Board Layout	15
2.2	Attachment to Motherboard.....	16
2.3	Socket Components	16
2.3.1	Socket Body Housing.....	16
2.3.2	Solder Balls	16
2.3.3	Contacts.....	17
2.3.4	Pick and Place Cover	17
2.4	Package Installation / Removal.....	18
2.4.1	Socket Standoffs and Package Seating Plane	18
2.5	Durability	19
2.6	Markings	19
2.7	Component Insertion Forces.....	19
2.8	Socket Size.....	19
3	Independent Loading Mechanism (ILM)	21
3.1	Design Concept	21
3.1.1	ILM Cover Assembly Design Overview	21
3.1.2	ILM Back Plate Design Overview	22
3.2	Assembly of ILM to a Motherboard	23
3.3	ILM Cover.....	24
4	LGA1366 Socket and ILM Electrical, Mechanical, and Environmental Specifications ..	27
4.1	Component Mass	27
4.2	Package/Socket Stackup Height.....	27
4.3	Socket Maximum Temperature	27
4.4	Loading Specifications	28
4.5	Electrical Requirements	29
4.6	Environmental Requirements.....	30
5	Sensor Based Thermal Specification Design Guidance	31
5.1	Sensor Based Specification Overview.....	31
5.2	Sensor Based Thermal Specification	32
5.2.1	TTV Thermal Profile.....	32
5.2.2	Specification When DTS value is Greater than TCONTROL.....	33
5.3	Thermal Solution Design Process	34
5.3.1	Boundary Condition Definition	34
5.3.2	Thermal Design and Modelling	35
5.3.3	Thermal Solution Validation.....	36
5.4	Fan Speed Control (FSC) Design Process.....	37
5.4.1	Fan Speed Control Algorithm without AMBIENT Data.....	38
5.4.2	Fan Speed Control Algorithm with AMBIENT Data	39
5.5	System Validation.....	40
5.6	Specification for Operation Where Digital Thermal Sensor Exceeds TCONTROL	41
6	Reference Thermal Solution	43
6.1	Geometric Envelope for the Intel® Reference Thermal Mechanical Design	43
6.2	ATX Reference Thermal Solution	44
6.2.1	Reference Thermal Solution Assembly	44
6.2.2	Heatsink Mass and Center of Gravity	45



6.2.3	Thermal Interface Material.....	45
6.3	Reference Heat Pipe Thermal Solution.....	45
6.3.1	Heat Pipe Thermal Solution Assembly.....	45
6.3.2	Heatsink Mass and Center of Gravity.....	46
6.4	Absolute Processor Temperature.....	46
7	Thermal Solution Quality and Reliability Requirements.....	47
7.1	Reference Heatsink Thermal Verification.....	47
7.2	Mechanical Environmental Testing.....	47
7.2.1	Recommended Test Sequence.....	47
7.2.2	Post-Test Pass Criteria.....	48
7.2.3	Recommended BIOS/Processor/Memory Test Procedures.....	48
7.3	Material and Recycling Requirements.....	48
A	Component Suppliers.....	49
B	Mechanical Drawings.....	51
C	Socket Mechanical Drawings.....	65
D	Processor Installation Tool.....	71

Figures

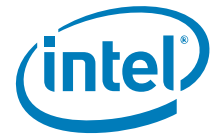
1-1	Processor Thermal Solution & LGA1366 Socket Stack.....	9
2-1	LGA1366 Socket with Pick and Place Cover Removed.....	13
2-2	LGA1366 Socket Contact Numbering (Top View of Socket).....	14
2-3	LGA1366 Socket Land Pattern (Top View of Board).....	15
2-4	Attachment to Motherboard.....	16
2-5	Pick and Place Cover.....	17
2-6	Package Installation / Removal Features.....	18
3-1	ILM Cover Assembly.....	22
3-2	Back Plate.....	22
3-3	ILM Assembly.....	23
3-4	Pin1 and ILM Lever.....	24
3-5	ILM Cover.....	25
4-1	Flow Chart of Knowledge-Based Reliability Evaluation Methodology.....	30
5-1	Comparison of Case Temperature vs. Sensor Based Specification.....	32
5-2	Thermal Profile.....	33
5-3	Thermal solution Performance.....	34
5-4	Required YCA for various AMBIENT Conditions.....	35
5-5	Thermal Solution Performance vs. Fan Speed.....	37
5-6	Fan Response Without AMBIENT Data.....	38
5-7	Fan Response with AMBIENT Aware FSC.....	39
6-1	ATX KOZ 3-D Model Primary Side (Top).....	43
6-2	ATX Heatsink Reference Design Assembly.....	45
6-3	Reference Heat Pipe Thermal Solution Assembly.....	46
B-1	Socket / Heatsink / ILM Keepout Zone Primary Side (Top).....	52
B-2	Socket / Heatsink / ILM Keepout Zone Secondary Side (Bottom).....	53
B-3	Socket / Processor / ILM Keepout Zone Primary Side (Top).....	54
B-4	Socket / Processor / ILM Keepout Zone Secondary Side (Bottom).....	55
B-5	Reference Heatsink Assembly (RCBF5) (1 of 2).....	56
B-6	Reference Heatsink Assembly (RCBF5) (2 of 2).....	57
B-7	Reference Fastener (1 of 4).....	58
B-8	Reference Fastener (2 of 4).....	59
B-9	Reference Fastener (3 of 4).....	60
B-10	Reference Fastener (4 of 4).....	61
B-11	Reference Clip (RCBF5) (1 of 2).....	62



B-12 Reference Clip (RCBF5) (2 of 2)	63
B-13 Reference Heat Pipe Heatsink Assembly	64
C-1 Socket Mechanical Drawing (Sheet 1 of 4)	66
C-2 Socket Mechanical Drawing (Sheet 2 of 4)	67
C-3 Socket Mechanical Drawing (Sheet 3 of 4)	68
C-4 Socket Mechanical Drawing (Sheet 4 of 4)	69
D-1 Processor Installation Tool	72

Tables

1-1 Reference Documents	10
1-2 Terms and Descriptions	10
4-1 Socket Component Mass	27
4-2 1366-land Package and LGA1366 Socket Stackup Height	27
4-3 Socket and ILM Mechanical Specifications	28
4-4 Electrical Requirements for LGA1366 Socket	29
5-1 Thermal Solution Performance above TCONTROL	41
7-1 Use Conditions (Board Level)	47
A-1 Reference Heatsink Enabled Components	49
A-2 LGA1366 Socket and ILM Components	50
A-3 Supplier Contact Information	50
B-1 Mechanical Drawing List	51
C-1 Mechanical Drawing List	65
D-1 Supplier Contact Information for Processor Installation Tool	71



Revision History

Revision Number	Description	Revision Date
001	<ul style="list-style-type: none">Initial release	November 2008
002	<ul style="list-style-type: none">Updated package / socket stack up height (Chapter 4)Updated Reference design & contact information (Appendix A)<ul style="list-style-type: none">Updated Tyco contactUpdated revision number for DBA-AUpdated Drawings in Appendices<ul style="list-style-type: none">Figures B-1 and B2 to reflect new KIZ informationAdded Appendix D, describing the processor installation tool	March 2009
003	<ul style="list-style-type: none">Updated Chapter 2Updated Table 4-3Updated Chapter 6Updated Table A-3Updated Figure B-1 and Figure B-2	October 2009
004	<ul style="list-style-type: none">Updated Table 1-1Added reference heat pipe thermal solution design in Chapter 6Updated Table A-1, Table A-3Added reference heat pipe thermal solution drawings in Appendix BAdded Intel Core™ i7-900 desktop processor Extreme Edition series on 32-nm process	March 2010
005	<ul style="list-style-type: none">Added Chapter 3.3Updated Appendix A	March 2011

§



1 Introduction

This document provides guidelines for the design of thermal and mechanical solutions for the:

- Intel® Core™ i7-900 desktop processor Extreme Edition series
- Intel® Core™ i7-900 desktop processor series
- Intel® Core™ i7-900 desktop processor Extreme Edition series on 32-nm process

Unless specifically required for clarity, this document will use “processor” in place of the specific product names. The components described in this document include:

- The processor thermal solution (heatsink) and associated retention hardware.
- The LGA1366 socket and the Independent Loading Mechanism (ILM) and back plate.

Figure 1-1. Processor Thermal Solution & LGA1366 Socket Stack



The goals of this document are:

- To assist board and system thermal mechanical designers
- To assist designers and suppliers of processor heatsinks

Thermal profiles and other processor specifications are provided in the appropriate processor datasheet.



1.1 References

Material and concepts available in the following documents may be beneficial when reading this document.

Table 1-1. Reference Documents

Document	Location	Notes
<i>Intel® Core™ i7-900 Desktop Processor Extreme Edition Series and Intel® Core™ i7-900 Desktop Processor Series Datasheet, Volume 1</i>	http://download.intel.com/design/processor/datashts/320834.pdf	1
<i>Intel® Core™ i7-900 Desktop Processor Extreme Edition Series and Intel® Core™ i7-900 Desktop Processor Series Datasheet, Volume 2</i>	http://download.intel.com/design/processor/datashts/320835.pdf	1
<i>Intel® Core™ i7-900 Desktop Processor Extreme Edition Series and Intel® Core™ i7-900 Desktop Processor Series Specification Update</i>	http://download.intel.com/design/processor/specupdt/320836.pdf	1
<i>Intel® Core™ i7-900 Desktop Processor Extreme Edition Series on 32-nm Process Datasheet, Volume 1</i>	http://download.intel.com/design/processor/datashts/323252.pdf	1
<i>Intel® Core™ i7-900 Desktop Processor Extreme Edition Series on 32-nm Process Datasheet, Volume 2</i>	http://download.intel.com/design/processor/datashts/323253.pdf	1
<i>Intel® Core™ i7-900 Desktop Processor Extreme Edition Series on 32-nm Process Specificaiton Update</i>	http://www.intel.com/Assets/PDF/specupdate/323254.pdf	1
<i>Intel® X58 Express Chipset Datasheet</i>	http://www.intel.com/Assets/PDF/datasheet/320838.pdf	1
<i>Intel® X58 Express Chipset Specification Update</i>	http://www.intel.com/Assets/PDF/specupdate/320839.pdf	1
<i>Intel® X58 Express Chipset - Thermal and Mechanical Design Guidelines</i>	http://www.intel.com/Assets/PDF/designguide/320840.pdf	1

Notes:

1. Available electronically

1.2 Definition of Terms

Table 1-2. Terms and Descriptions (Sheet 1 of 2)

Term	Description
Bypass	Bypass is the area between a passive heatsink and any object that can act to form a duct. For this example, it can be expressed as a dimension away from the outside dimension of the fins to the nearest surface.
DTS	Digital Thermal Sensor reports a relative die temperature as an offset from TCC activation temperature.
FSC	Fan Speed Control
IHS	Integrated Heat Spreader: a component of the processor package used to enhance the thermal performance of the package. Component thermal solutions interface with the processor at the IHS surface.
ILM	Independent Loading Mechanism provides the force needed to seat the 1366-LGA land package onto the socket contacts.
IOH	Input Output Hub: a component of the chipset that provides I/O connections to PCIe, drives and other peripherals
LGA1366 socket	The processor mates with the system board through this surface mount, 1366-contact socket.



Table 1-2. Terms and Descriptions (Sheet 2 of 2)

Term	Description
PECI	The Platform Environment Control Interface (PECI) is a one-wire interface that provides a communication channel between Intel processor and chipset components to external monitoring devices.
Ψ_{CA}	Case-to-ambient thermal characterization parameter (psi). A measure of thermal solution performance using total package power. Defined as $(T_{CASE} - T_{LA}) / \text{Total Package Power}$. Heat source should always be specified for Ψ measurements.
Ψ_{CS}	Case-to-sink thermal characterization parameter. A measure of thermal interface material performance using total package power. Defined as $(T_{CASE} - T_S) / \text{Total Package Power}$.
Ψ_{SA}	Sink-to-ambient thermal characterization parameter. A measure of heatsink thermal performance using total package power. Defined as $(T_S - T_{LA}) / \text{Total Package Power}$.
T_{CASE}	The case temperature of the TTV measured at the geometric center of the topside of the IHS.
$T_{CASE-MAX}$	The maximum case temperature as specified in a component specification.
TCC	Thermal Control Circuit: Thermal monitor uses the TCC to reduce the die temperature by using clock modulation and/or operating frequency and input voltage adjustment when the die temperature is very near its operating limits.
$T_{CONTROL}$	$T_{CONTROL}$ is a static value below TCC activation used as a trigger point for fan speed control.
TDP	Thermal Design Power: Thermal solution should be designed to dissipate this target power level. TDP is not the maximum power that the processor can dissipate.
Thermal Monitor	A power reduction feature designed to decrease temperature after the processor has reached its maximum operating temperature.
Thermal Profile	Line that defines case temperature specification of the TTV at a given power level.
TIM	Thermal Interface Material: The thermally conductive compound between the heatsink and the processor case. This material fills the air gaps and voids, and enhances the transfer of the heat from the processor case to the heatsink.
$T_{AMBIENT}$	The measured ambient temperature locally surrounding the processor. The ambient temperature should be measured just upstream of a passive heatsink or at the fan inlet for an active heatsink.
T_{SA}	The system ambient air temperature external to a system chassis. This temperature is usually measured at the chassis air inlets.

§



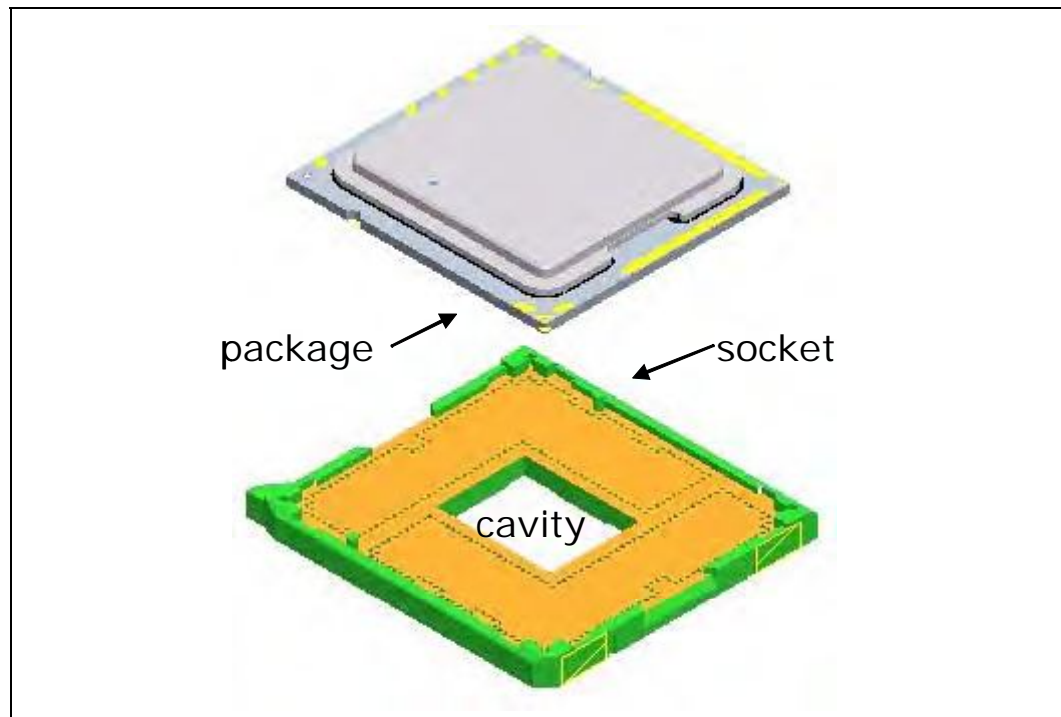
2 LGA1366 Socket

This chapter describes a surface mount, LGA (Land Grid Array) socket intended for the processor. The socket provides I/O, power, and ground contacts. The socket contains 1366 contacts arrayed about a cavity in the center of the socket with lead-free solder balls for surface mounting on the motherboard.

The socket has 1366 contacts with 1.016 mm X 1.016 mm pitch (X by Y) in a 43x41 grid array with 21x17 grid depopulation in the center of the array and selective depopulation elsewhere.

The socket must be compatible with the package (processor) and the Independent Loading Mechanism (ILM). The design includes a back plate that is integral to having a uniform load on the socket solder joints. Socket loading specifications are listed in Chapter 4.

Figure 2-1. LGA1366 Socket with Pick and Place Cover Removed

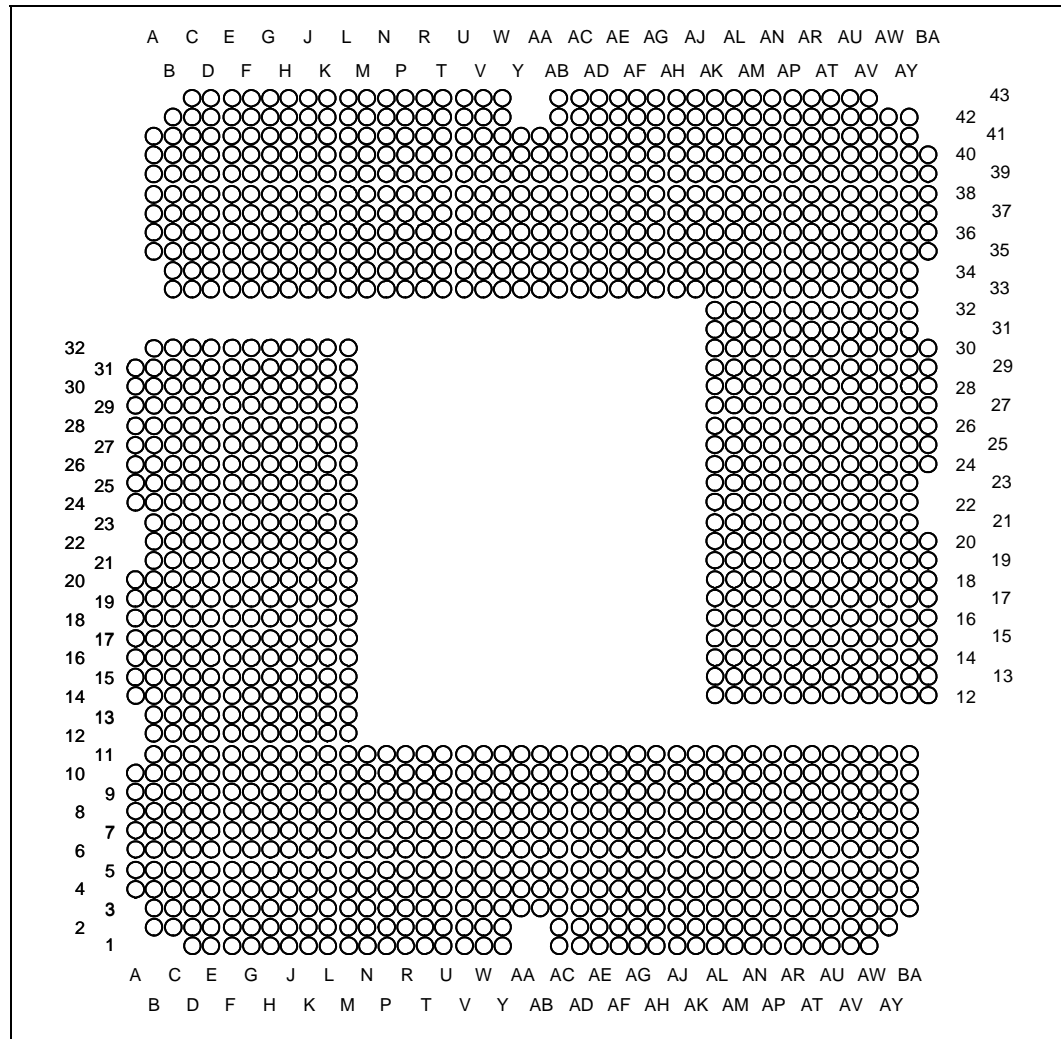




2.1 Board Layout

The land pattern for the LGA1366 socket is 40 mils X 40 mils (X by Y), and the pad size is 18 mils. Note that there is no round-off (conversion) error between socket pitch (1.016 mm) and board pitch (40 mil) as these values are equivalent.

Figure 2-3. LGA1366 Socket Land Pattern (Top View of Board)

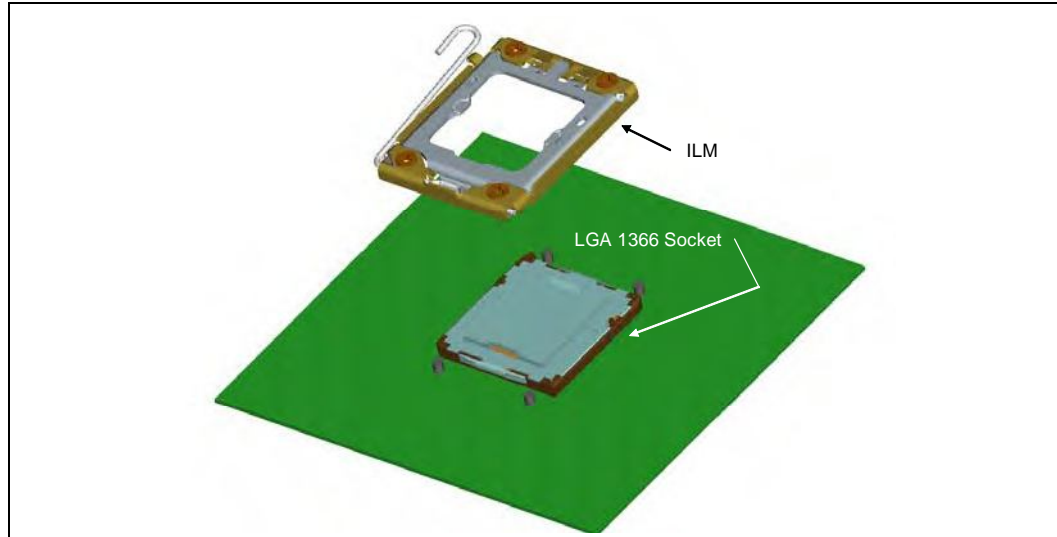


2.2 Attachment to Motherboard

The socket is attached to the motherboard by 1366 solder balls. There are no additional external methods (that is, screw, extra solder, adhesive, and so on) to attach the socket.

As indicated in [Figure 2-4](#), the Independent Loading Mechanism (ILM) is not present during the attach (reflow) process.

Figure 2-4. Attachment to Motherboard



2.3 Socket Components

The socket has two main components, the socket body and Pick and Place (PnP) cover, and is delivered as a single integral assembly. Refer to [Appendix C](#) for detailed drawings.

2.3.1 Socket Body Housing

The housing material is thermoplastic or equivalent with UL 94 V-0 flame rating capable of withstanding 260 °C for 40 seconds (typical reflow/rework). The socket coefficient of thermal expansion (in the XY plane), and creep properties, must be such that the integrity of the socket is maintained for the conditions listed in [Chapter 7](#).

The color of the housing will be dark as compared to the solder balls to provide the contrast needed for pick and place vision systems.

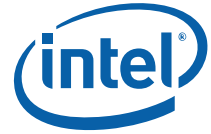
2.3.2 Solder Balls

A total of 1366 solder balls corresponding to the contacts are on the bottom of the socket for surface mounting with the motherboard.

The socket has the following solder ball material:

- Lead free SAC (SnAgCu) solder alloy with a silver (Ag) content between 3% and 4% and a melting temperature of approximately 217 °C. The alloy must be compatible with immersion silver (ImAg) motherboard surface finish and a SAC alloy solder paste.

The co-planarity (profile) and true position requirements are defined in [Appendix C](#).



2.3.3 Contacts

Base material for the contacts is high strength copper alloy.

For the area on socket contacts where processor lands will mate, there is a 0.381 μm [15 μinches] minimum gold plating over 1.27 μm [50 μinches] minimum nickel underplate.

No contamination by solder in the contact area is allowed during solder reflow.

2.3.4 Pick and Place Cover

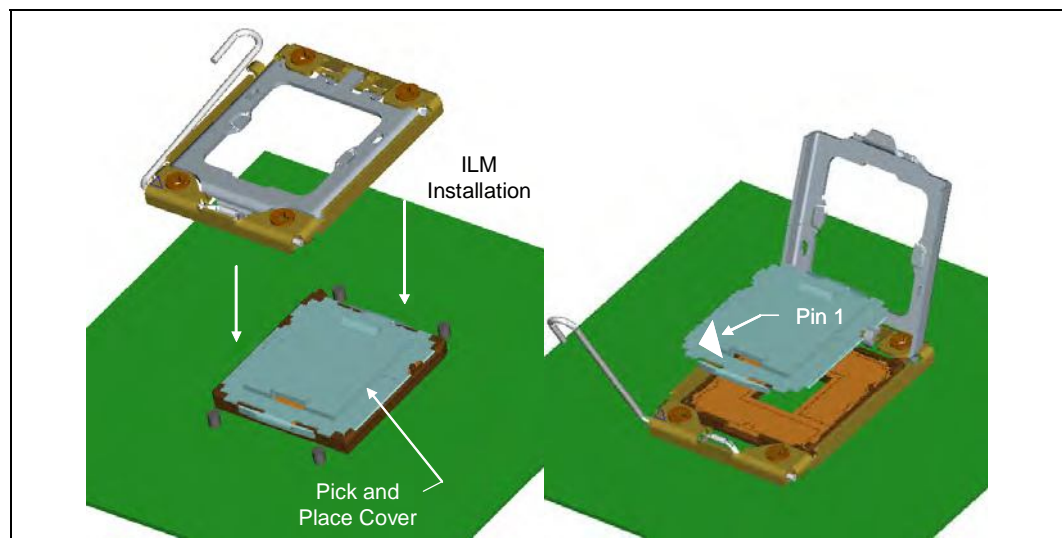
The cover provides a planar surface for vacuum pick up used to place components in the Surface Mount Technology (SMT) manufacturing line. The cover remains on the socket during reflow to help prevent contamination during reflow. The cover can withstand 260 °C for 40 seconds (typical reflow/rework profile) and the conditions listed in [Chapter 7](#) without degrading.

As indicated in [Figure 2-5](#), the cover remains on the socket during ILM installation, and should remain on whenever possible to help prevent damage to the socket contacts.

Cover retention must be sufficient to support the socket weight during lifting, translation, and placement (board manufacturing), and during board and system shipping and handling.

The covers are designed to be interchangeable between socket suppliers. As indicated in [Figure 2-5](#), a Pin1 indicator on the cover provides a visual reference for proper orientation with the socket.

Figure 2-5. Pick and Place Cover



2.4 Package Installation / Removal

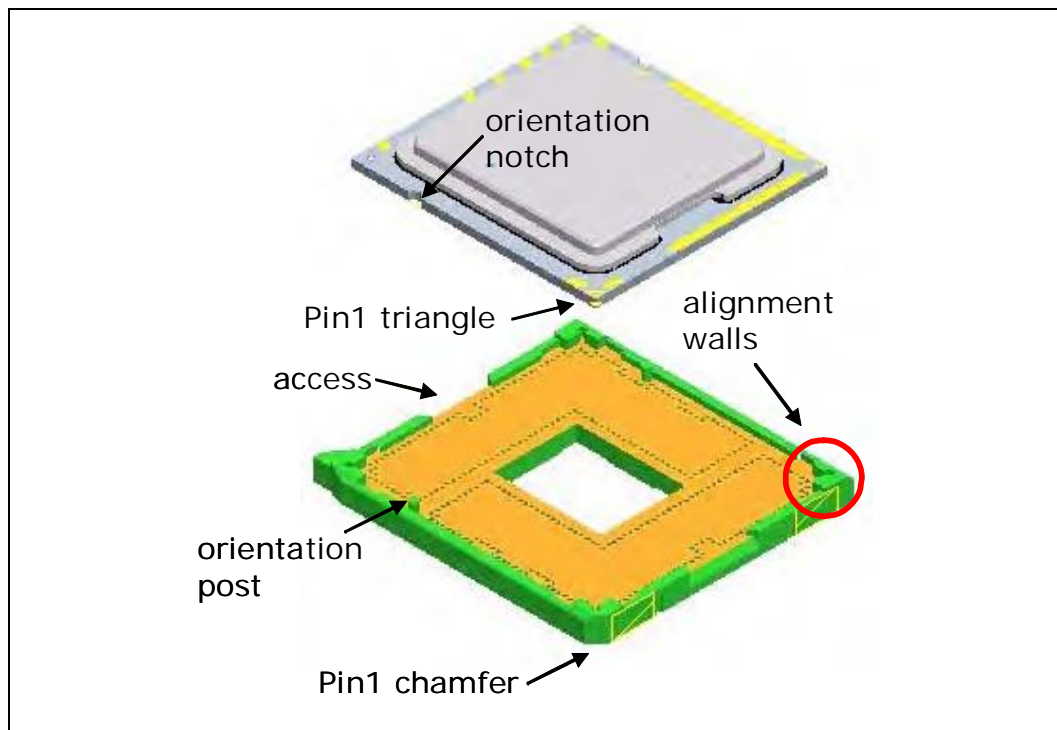
As indicated in [Figure 2-6](#), access is provided to facilitate manual installation and removal of the package.

To assist in package orientation and alignment with the socket:

- The package Pin1 triangle and the socket Pin1 chamfer provide visual reference for proper orientation.
- The package substrate has orientation notches along two opposing edges of the package, offset from the centerline. The socket has two corresponding orientation posts to physically prevent mis-orientation of the package. These orientation features also provide initial rough alignment of package to socket.
- The socket has alignment walls at the four corners to provide final alignment of the package.

See [Appendix D](#) for information regarding a tool designed to provide mechanical assistance during processor installation and removal.

Figure 2-6. Package Installation / Removal Features



2.4.1 Socket Standoffs and Package Seating Plane

Standoffs on the bottom of the socket base establish the minimum socket height after solder reflow and are specified in [Appendix C](#).

Similarly, a seating plane on the topside of the socket establishes the minimum package height. See [Section 4.2](#) for the calculated IHS height above the motherboard.



2.5 Durability

The socket must withstand 30 cycles of processor insertion and removal. The max chain contact resistance from [Table 4-4](#) must be met when mated in the 1st and 30th cycles.

The socket Pick and Place cover must withstand 15 cycles of insertion and removal.

2.6 Markings

There are three markings on the socket:

- LGA1366: Font type is Helvetica Bold - minimum 6 point (2.125 mm).
- Manufacturer's insignia (font size at supplier's discretion).
- Lot identification code (allows traceability of manufacturing date and location).

All markings must withstand 260 °C for 40 seconds (typical reflow/rework profile) without degrading, and must be visible after the socket is mounted on the motherboard.

LGA1366 and the manufacturer's insignia are molded or laser marked on the side wall.

2.7 Component Insertion Forces

Any actuation must meet or exceed SEMI S8-95 Safety Guidelines for Ergonomics/ Human Factors Engineering of Semiconductor Manufacturing Equipment, example [Table R2-7](#) (Maximum Grip Forces). The socket must be designed so that it requires no force to insert the package into the socket.

2.8 Socket Size

Socket information needed for motherboard design is given in [Appendix C](#).

This information should be used in conjunction with the reference motherboard keep-out drawings provided in [Appendix B](#) to ensure compatibility with the reference thermal mechanical components.

§





3 Independent Loading Mechanism (ILM)

The Independent Loading Mechanism (ILM) provides the force needed to seat the 1366-LGA land package onto the socket contacts. The ILM is physically separate from the socket body. The assembly of the ILM to the board is expected to occur after wave solder. The exact assembly location is dependent on manufacturing preference and test flow.

Note: The ILM has two critical functions: deliver the force to seat the processor onto the socket contacts and distribute the resulting compressive load evenly through the socket solder joints.

Note: The mechanical design of the ILM is integral to the overall functionality of the LGA1366 socket. Intel performs detailed studies on integration of processor package, socket and ILM as a system. These studies directly impact the design of the ILM. The Intel reference ILM will be “build to print” from Intel controlled drawings. Intel recommends using the Intel Reference ILM. Custom non-Intel ILM designs do not benefit from Intel's detailed studies and may not incorporate critical design parameters.

3.1 Design Concept

The ILM consists of two assemblies that will be procured as a set from the enabled vendors. These two components are ILM cover assembly and back plate.

3.1.1 ILM Cover Assembly Design Overview

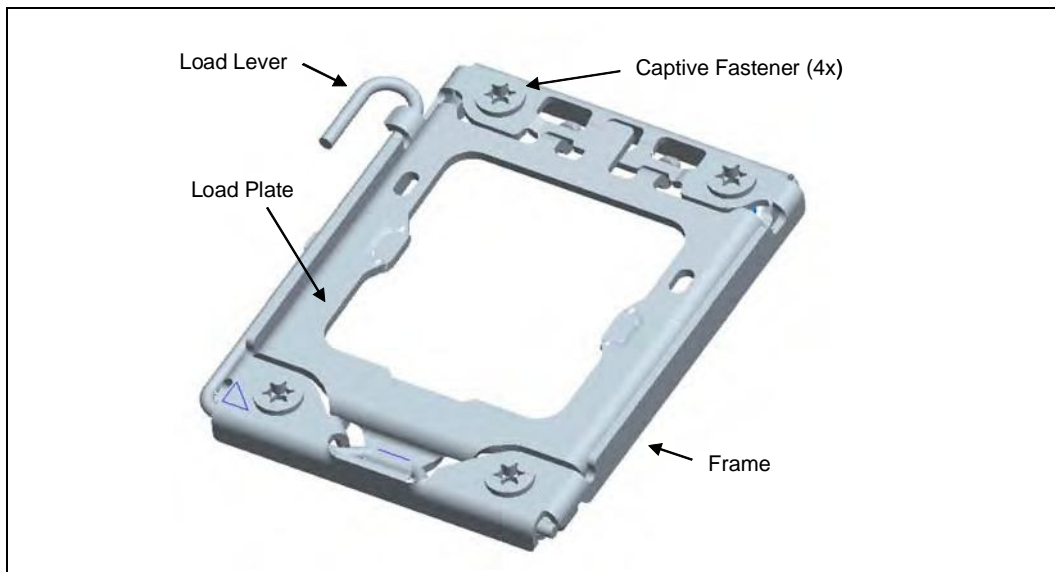
The ILM Cover assembly consists of four major pieces: load lever, load plate, frame and the captive fasteners.

The load lever and load plate are stainless steel. The frame and fasteners are high carbon steel with appropriate plating. The fasteners are fabricated from a high carbon steel. The frame provides the hinge locations for the load lever and load plate.

The cover assembly design ensures that once assembled to the back plate and the load lever is closed, the only features touching the board are the captive fasteners. The nominal gap of the frame to the board is ~1 mm when the load plate is closed on the empty socket or when closed on the processor package.

When closed, the load plate applies two point loads onto the IHS at the “dimpled” features shown in [Figure 3-1](#). The reaction force from closing the load plate is transmitted to the frame and through the captive fasteners to the back plate. Some of the load is passed through the socket body to the board inducing a slight compression on the solder joints.

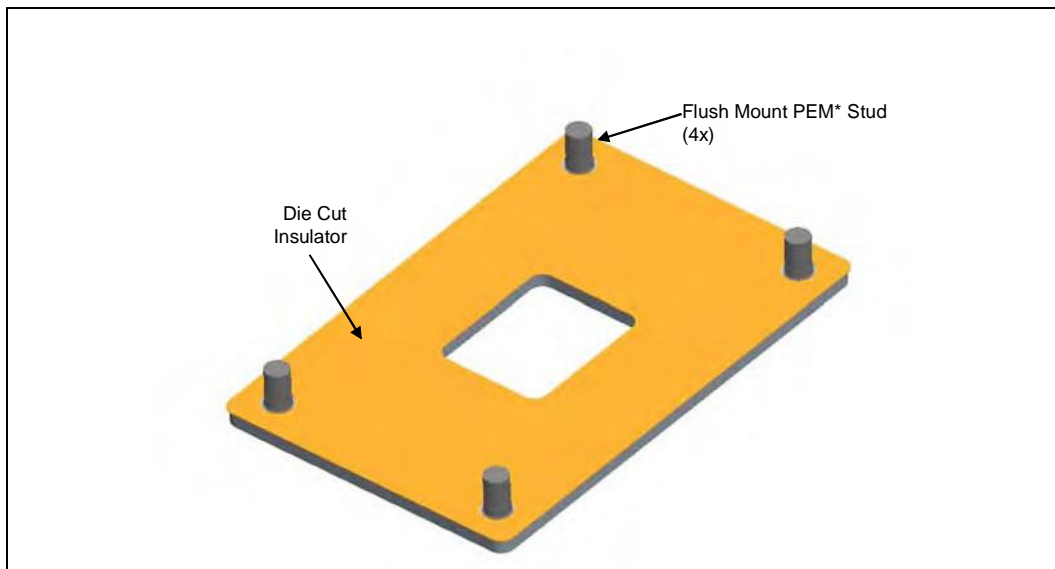
Figure 3-1. ILM Cover Assembly



3.1.2 ILM Back Plate Design Overview

The back plate for single processor products consists of a flat steel back plate with threaded studs for ILM attach. The threaded studs have a smooth surface feature that provides alignment for the back plate to the motherboard for proper assembly of the ILM around the socket. A clearance hole is located at the center of the plate to allow access to test points and backside capacitors. An insulator is pre-applied.

Figure 3-2. Back Plate



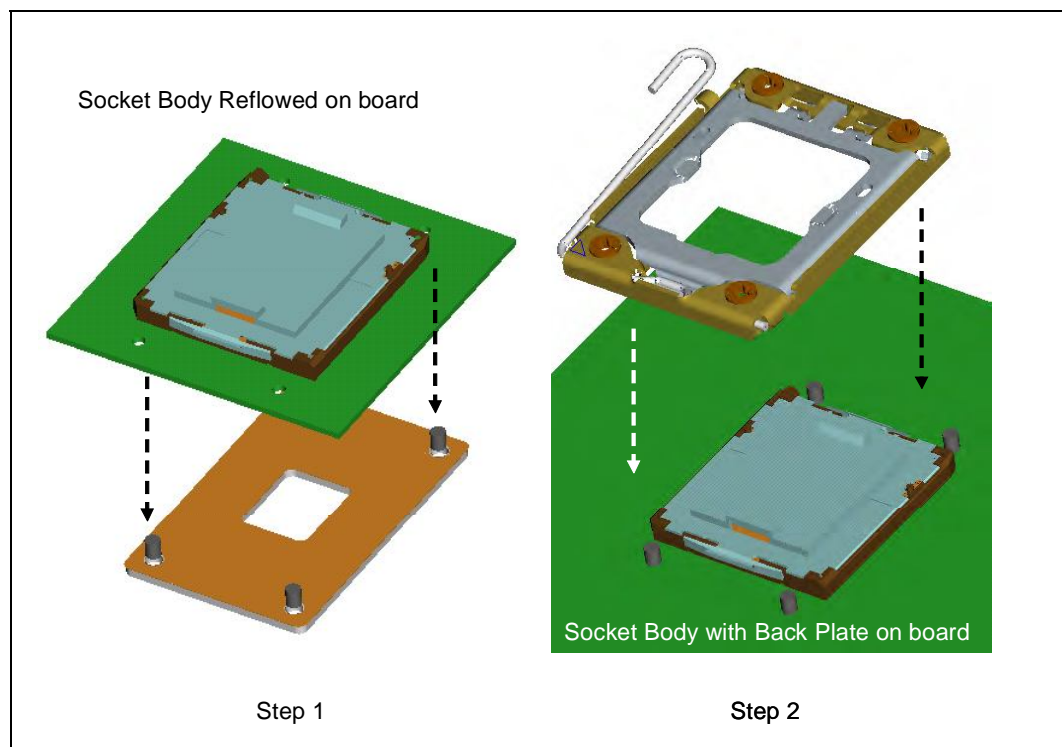
3.2 Assembly of ILM to a Motherboard

The ILM design allows a bottoms up assembly of the components to the board. See [Figure 3-3](#) for step by step assembly sequence:

1. Place the back plate in a fixture. Holes in the motherboard provide alignment to the threaded studs.
2. Place the ILM cover assembly over the socket and threaded studs. Use a T20 Torx* driver fasten the ILM cover assembly to the back plate with the four captive fasteners. Torque to be 9.0 ± 1.0 inch-pounds.

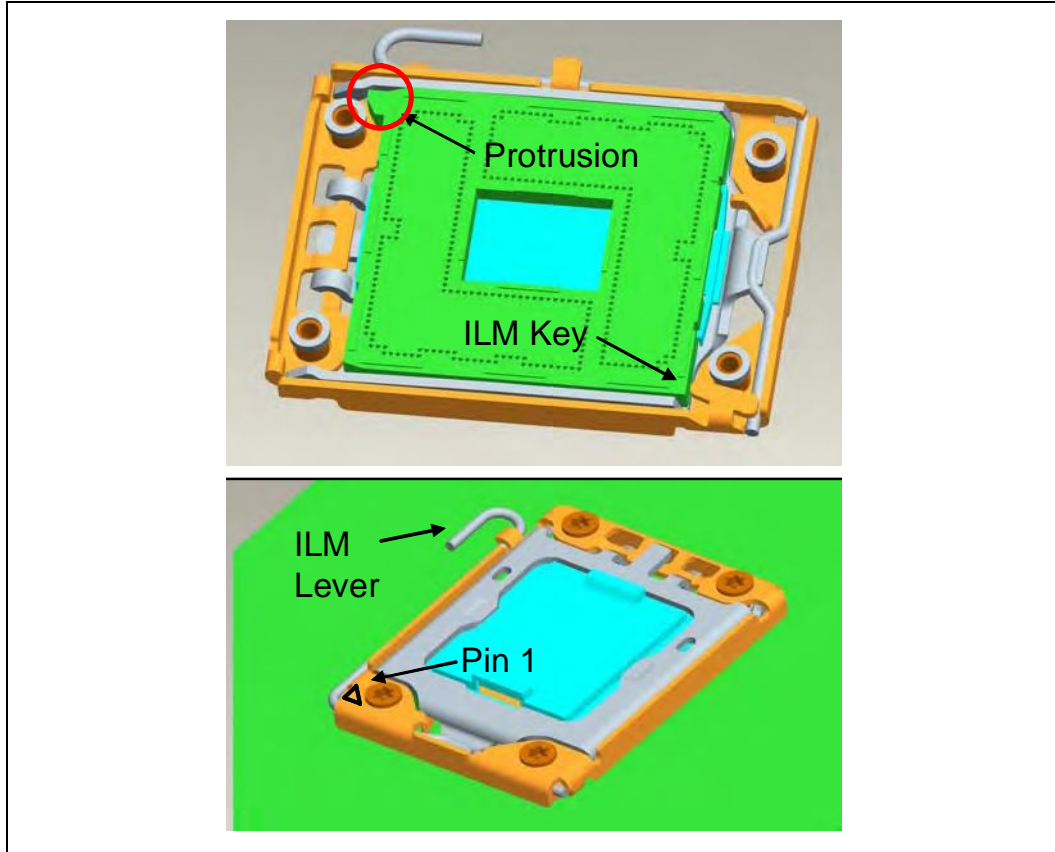
The length of the threaded studs accommodate board thicknesses from 0.062" to 0.100".

Figure 3-3. ILM Assembly



As indicated in [Figure 3-4](#), socket protrusion and ILM key features prevent 180-degree rotation of ILM cover assembly with respect to the socket. The result is a specific Pin 1 orientation with respect to the ILM lever.

Figure 3-4. Pin1 and ILM Lever



3.3 ILM Cover

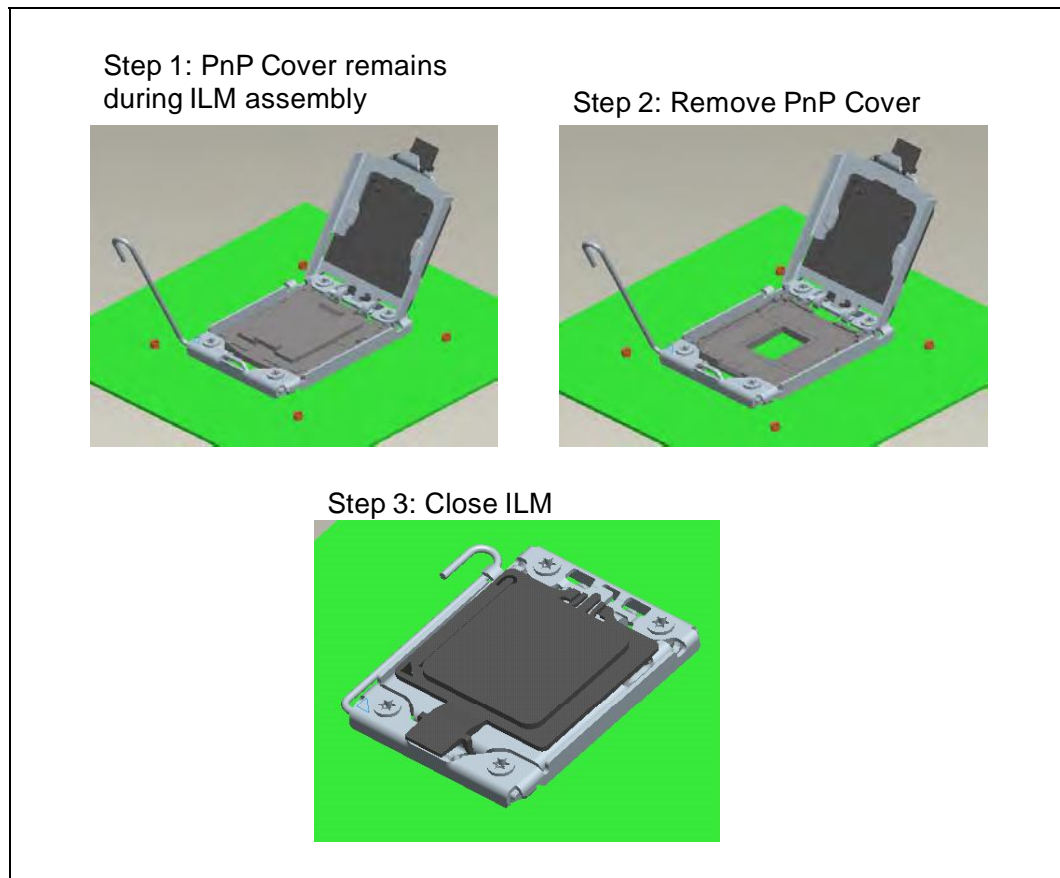
Intel has developed an ILM Cover that will snap onto the ILM for the LGA1366 socket family. The ILM cover is intended to reduce the potential for socket contact damage from operator and customer fingers being close to the socket contacts to remove or install the pick and place cap. The ILM Cover concept is shown in [Figure 3-5](#).

The ILM Cover is intended to be used in place of the pick and place cover once the ILM is assembled to the motherboard. The ILM will be offered with the ILM Cover pre assembled as well as offered as a discrete component.

ILM Cover features:

- Pre-assembled by the ILM vendors to the ILM load plate. It will also be offered as a discrete component.
- The ILM cover will pop off if a processor is installed in the socket, and the ILM Cover and ILM are from the same manufacturer.
- ILM Cover can be installed while the ILM is open.
- Maintain inter-changeability between validated ILM vendors for LGA1366 socket.
- The ILM cover for the LGA1366 socket will have a flammability rating of V-0 per UL 60950-1.

Figure 3-5. ILM Cover



As indicated in [Figure 3-5](#), the pick and place cover should remain installed during ILM assembly to the motherboard. After assembly the pick and place cover is removed, the ILM Cover installed and the ILM mechanism closed. The ILM Cover is designed to pop off if the pick and place cover is accidentally left in place and the ILM closed with the ILM Cover installed.

§



Independent Loading Mechanism (ILM)



4 LGA1366 Socket and ILM Electrical, Mechanical, and Environmental Specifications

This chapter describes the electrical, mechanical, and environmental specifications for the LGA1366 socket and the Independent Loading Mechanism.

4.1 Component Mass

Table 4-1. Socket Component Mass

Component	Mass
Socket Body, Contacts and PnP Cover	15 g
ILM Cover	43 g
ILM Back Plate	51 g

4.2 Package/Socket Stackup Height

Table 4-2 provides the stackup height of a processor in the 1366-land LGA package and LGA1366 socket with the ILM closed and the processor fully seated in the socket.

Table 4-2. 1366-land Package and LGA1366 Socket Stackup Height

Component	Stackup Height	Note
Integrated Stackup Height (mm) From Top of Board to Top of IHS	7.729 ± 0.282 mm	1, 2

Notes:

1. This data is provided for information only, and should be derived from: (a) the height of the socket seating plane above the motherboard after reflow, given in [Appendix C](#), (b) the height of the package, from the package seating plane to the top of the IHS, and accounting for its nominal variation and tolerances that are given in the corresponding processor datasheet.
2. This integrated stackup height value is a RSS calculation based on current and planned processors that will use the ILM design.

4.3 Socket Maximum Temperature

The power dissipated within the socket is a function of the current at the pin level and the effective pin resistance. To ensure socket long term reliability, Intel defines socket maximum temperature using a via on the underside of the motherboard. Exceeding the temperature guidance may result in socket body deformation, or increases in thermal and electrical resistance which can cause a thermal runaway and eventual electrical failure. The guidance for socket maximum temperature is listed below:

- Using temperature under socket < 96 °C

Note: Based on the system enabling boundary condition, the solder ball temperature can vary and needs to be comprehended for reliability assessment.



4.4 Loading Specifications

The socket will be tested against the conditions listed in [Chapter 7](#) with heatsink and the ILM attached, under the loading conditions outlined in this chapter.

[Table 4-3](#) provides load specifications for the LGA1366 socket with the ILM installed. The maximum limits should not be exceeded during heatsink assembly, shipping conditions, or standard use condition. Exceeding these limits during test may result in component failure. The socket body should not be used as a mechanical reference or load-bearing surface for thermal solutions.

Table 4-3. Socket and ILM Mechanical Specifications

Parameter	Min	Max	Notes
Static compressive load from ILM cover to processor IHS	445 N [100 lbf]	623 N [140 lbf]	3, 4, 7
Heatsink Static Compressive Load	0 N [0 lbf]	266 N [60 lbf]	1, 2, 3
Total Static Compressive Load (ILM plus Heatsink)	445 N [100 lbf]	890 N [200 lbf]	3, 4, 7
Dynamic Compressive Load (with heatsink installed)	N/A	890 N [200 lbf]	1, 3, 5, 6
Pick and Place Cover Insertion force	N/A	10.2 N [2.3 lbf]	
Pick and Place Cover Removal force	2.2 N [0.5 lbf]	6.7 N [1.5 lbf]	
Load Lever actuation force	N/A	38.3 N [8.6 lbf] in the vertical direction 10.2 N [2.3 lbf] in the lateral direction.	

Notes:

1. These specifications apply to uniform compressive loading in a direction perpendicular to the IHS top surface.
2. This is the minimum and maximum static force that can be applied by the heatsink and it's retention solution to maintain the heatsink to IHS interface. This does not imply the Intel reference TIM is validated to these limits.
3. Loading limits are for the LGA1366 socket.
4. This minimum limit defines the compressive force required to electrically seat the processor onto the socket contacts. The minimum load is a beginning of life loading requirement.
5. Dynamic loading is defined as an 11 ms duration average load superimposed on the static load requirement.
6. Test condition used a heatsink mass of 550 gm [1.21 lb] with 50 g acceleration measured at heatsink mass. The dynamic portion of this specification in the product application can have flexibility in specific values, but the ultimate product of mass times acceleration should not exceed this dynamic load.
7. Conditions must be satisfied at the beginning of life. The loading system stiffness for non-reference designs need to meet a specific stiffness range to satisfy end of life loading requirements.



4.5 Electrical Requirements

LGA1366 socket electrical requirements are measured from the socket-seating plane of the processor to the component side of the socket PCB to which it is attached. All specifications are maximum values (unless otherwise stated) for a single socket contact, but includes effects of adjacent contacts where indicated.

Table 4-4. Electrical Requirements for LGA1366 Socket

Parameter	Value	Comment
Mated loop inductance, Loop	< 3.9nH	The inductance calculated for two contacts, considering one forward conductor and one return conductor. These values must be satisfied at the worst-case height of the socket.
Mated partial mutual inductance, L	NA	The inductance on a contact due to any single neighboring contact.
Maximum mutual capacitance, C.	< 1 pF	The capacitance between two contacts
Socket Average Contact Resistance (EOL)	15.2 mΩ	The socket average contact resistance target is derived from average of every chain contact resistance for each part used in testing, with a chain contact resistance defined as the resistance of each chain minus resistance of shorting bars divided by number of lands in the daisy chain. The specification listed is at room temperature and has to be satisfied at all time. Socket Contact Resistance: The resistance of the socket contact, solderball, and interface resistance to the interposer land.
Max Individual Contact Resistance (EOL)	≤ 100 mΩ	The specification listed is at room temperature and has to be satisfied at all time. Socket Contact Resistance: The resistance of the socket contact, solderball, and interface resistance to the interposer land; gaps included.
Bulk Resistance Increase	≤ 3 mΩ	The bulk resistance increase per contact from 24 °C to 107 °C
Dielectric Withstand Voltage	360 Volts RMS	
Insulation Resistance	800 MΩ	

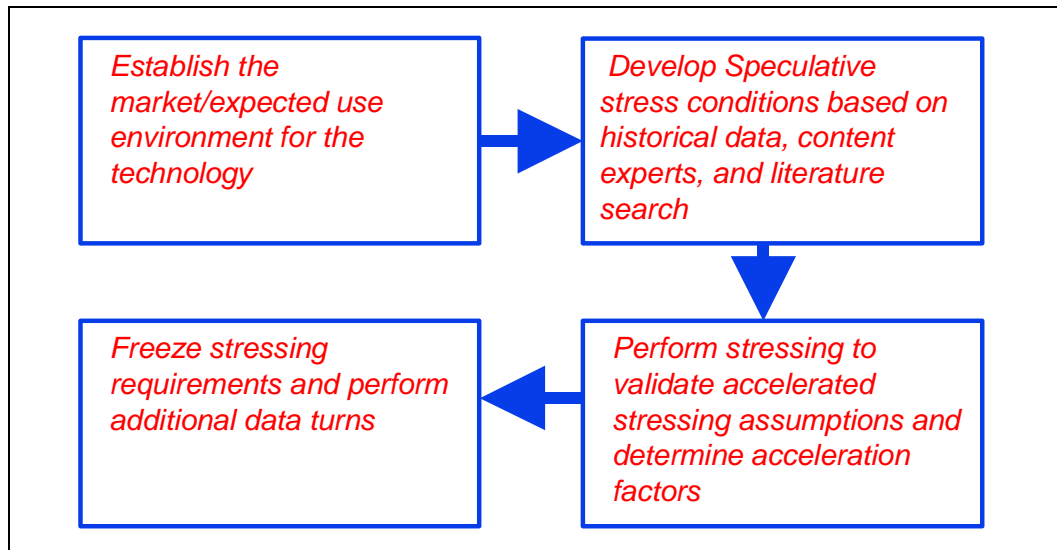


4.6 Environmental Requirements

Design, including materials, shall be consistent with the manufacture of units that meet the following environmental reference points.

The reliability targets in this chapter are based on the expected field use environment for these products. The test sequence for new sockets will be developed using the knowledge-based reliability evaluation methodology, which is acceleration factor dependent. A simplified process flow of this methodology can be seen in Figure 4-1.

Figure 4-1. Flow Chart of Knowledge-Based Reliability Evaluation Methodology



A detailed description of this methodology can be found at: <ftp://download.intel.com/technology/itj/q32000/pdf/reliability.pdf>.

§



5 Sensor Based Thermal Specification Design Guidance

The introduction of the sensor based thermal specification presents opportunities for the system designer to optimize the acoustics and simplify thermal validation. The sensor based specification utilizes the Digital Thermal Sensor information accessed using the PECL interface.

This chapter will review thermal solution design options, fan speed control design guidance & implementation options and suggestions on validation both with the TTV and the live die in a shipping system.

5.1 Sensor Based Specification Overview

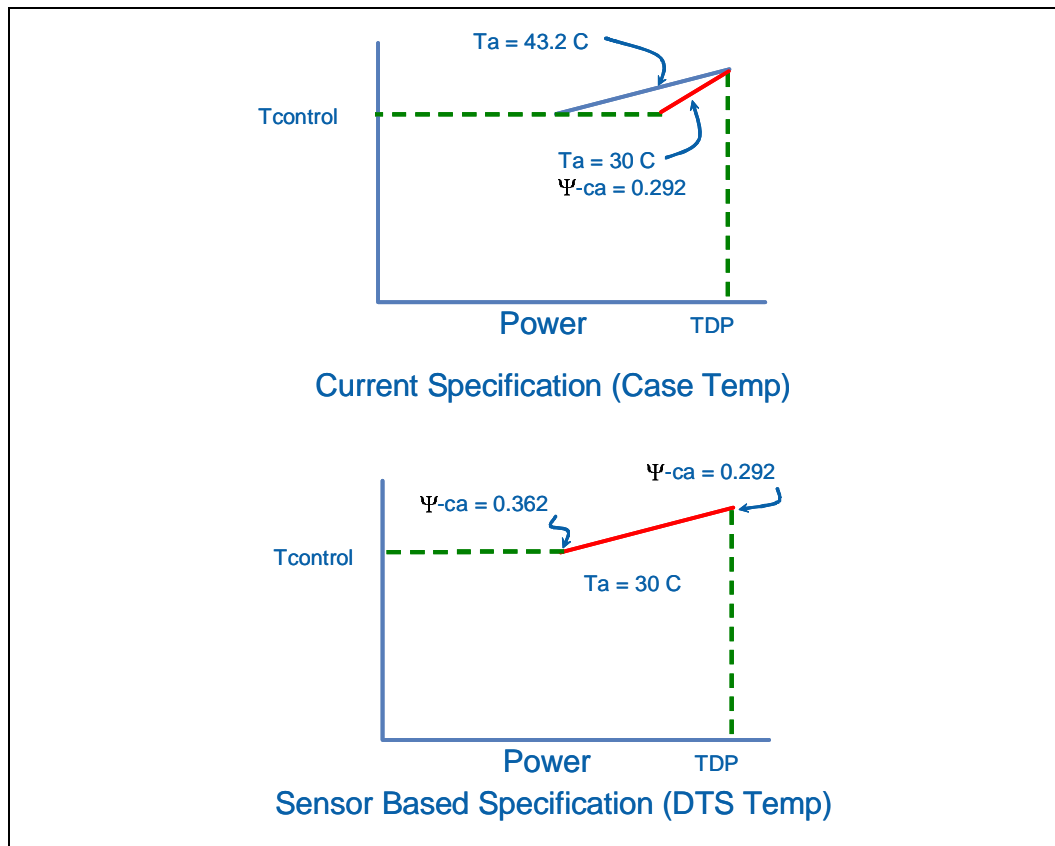
Create a thermal specification that meets the following requirements:

- Use Digital Thermal Sensor (DTS) for real-time thermal specification compliance.
- Single point of reference for thermal specification compliance over all operating conditions.
- Does not required measuring processor power & case temperature during functional system thermal validation.
- Opportunity for acoustic benefits for DTS values between T_{CONTROL} and -1 .

The current specification based on the processor case temperature has some notable gaps to optimal acoustic design. When the ambient temperature is less than the maximum design point, the fan speed control system (FSC) will over cool the processor. The FSC has no feedback mechanism to detect this over cooling. This is shown in the top half of [Figure 5-1](#).

The sensor based specification will allow the FSC to be operated at the maximum allowable silicon temperature or T_J for the measured ambient. This will provide optimal acoustics for operation above T_{CONTROL} . See lower half of [Figure 5-1](#).

Figure 5-1. Comparison of Case Temperature vs. Sensor Based Specification



5.2 Sensor Based Thermal Specification

The sensor based thermal specification consists of two parts. The first is a thermal profile that defines the maximum TTV T_{CASE} as a function of TTV power dissipation. The thermal profile defines the boundary conditions for validation of the thermal solution.

The second part is a defined thermal solution performance (Ψ_{CA}) as a function of the DTS value as reported over the PECl bus when DTS is greater than $T_{CONTROL}$. This defines the operational limits for the processor using the TTV validated thermal solution.

5.2.1 TTV Thermal Profile

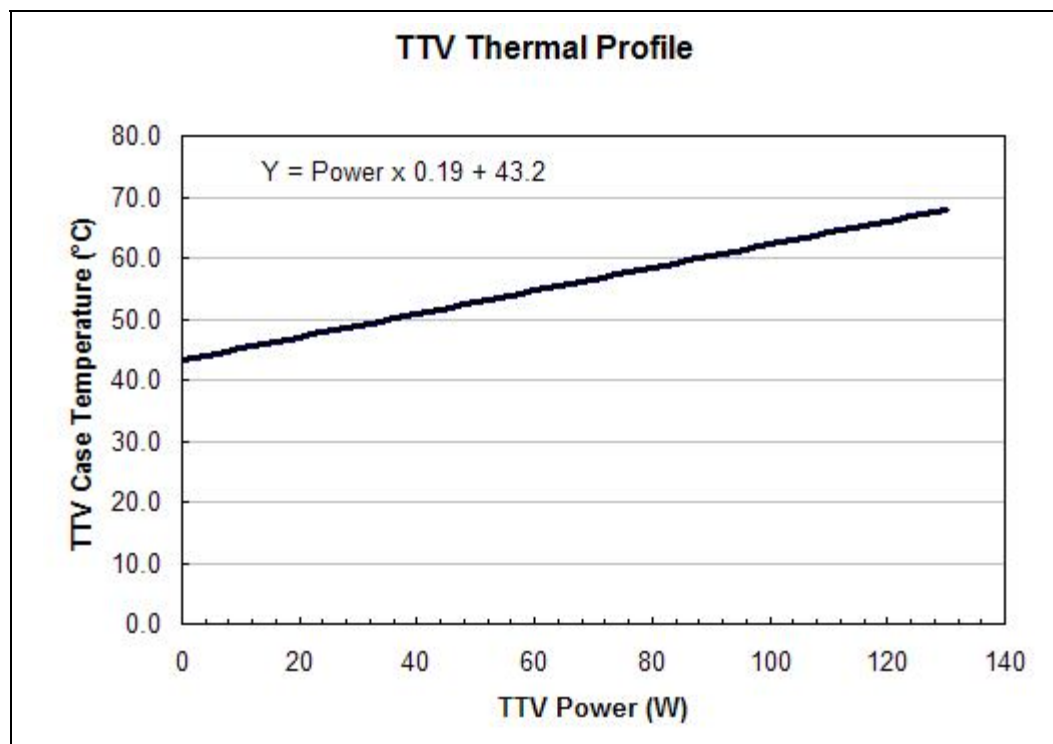
For the sensor based specification the only reference made to a case temperature measurement is on the TTV. Functional thermal validation will not require the user to apply a thermocouple to the processor package or measure processor power.

Note: All functional compliance testing will be based on fan speed response to the reported DTS values above $T_{CONTROL}$. As a result no conversion of TTV T_{CASE} to processor T_{CASE} will be necessary.



As in previous product specifications, a knowledge of the system boundary conditions is necessary to perform the heatsink validation. Section 5.3.1 will provide more detail on defining the boundary conditions. The TTV is placed in the socket and powered to the recommended value to simulate the TDP condition. See Figure 5-2 for an example of the processor TTV thermal profile.

Figure 5-2. Thermal Profile



Note: This graph is provided as a reference. Please refer to the appropriate processor datasheet for the specification.

5.2.2 Specification When DTS value is Greater than T_{CONTROL}

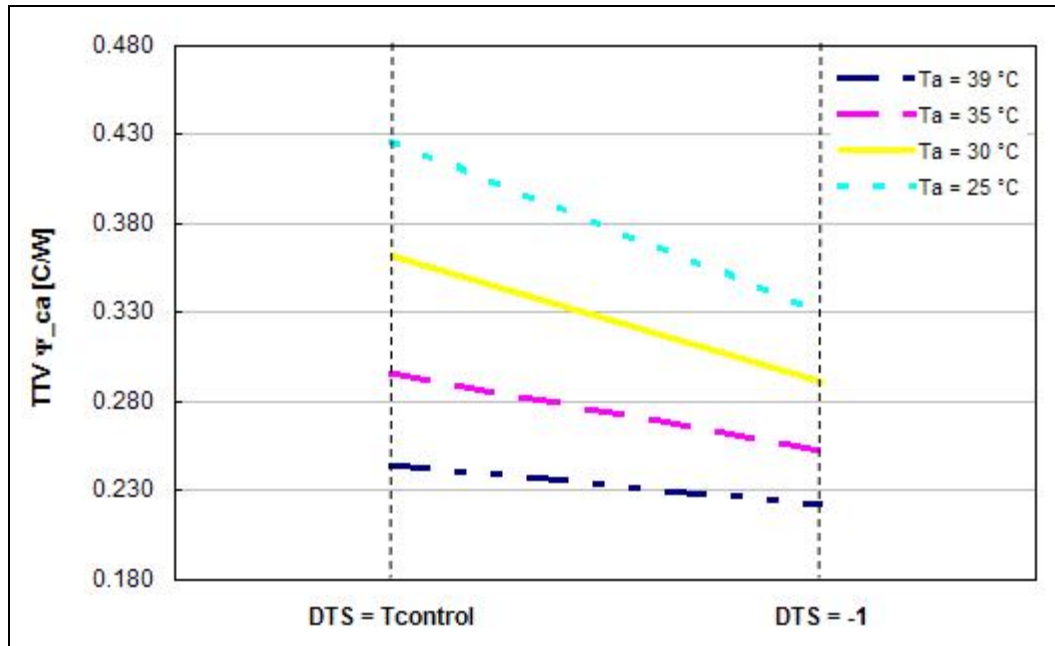
The product specification provides a table of Ψ_{CA} values at $DTS = T_{\text{CONTROL}}$ and $DTS = -1$ as a function of T_{AMBIENT} (inlet to heatsink). Between these two defined points, a linear interpolation can be done for any DTS value reported by the processor. A copy of the specification is provided as a reference in Table 5-1 of Section 5.6.

The fan speed control algorithm has enough information using only the DTS value and T_{AMBIENT} to command the thermal solution to provide just enough cooling to keep the part on the thermal profile.

As an example, the data in Table 5-1 has been plotted in Figure 5-3 to show the required Ψ_{CA} at 25, 30, 35, and 39 °C T_{AMBIENT} . The lower the ambient, the higher the required Ψ_{CA} which means lower fan speeds and reduced acoustics from the processor thermal solution.

In the prior thermal specifications this region, DTS values greater than T_{CONTROL} , was defined by the processor thermal profile. This required the user to estimate the processor power and case temperature. Neither of these two data points are accessible in real time for the fan speed control system. As a result, the designer had to assume the worst case T_{AMBIENT} and drive the fans to accommodate that boundary condition.

Figure 5-3. Thermal solution Performance



5.3 Thermal Solution Design Process

Thermal solution design guidance for this specification is the same as with previous products. The initial design must take into account the target market and overall product requirements for the system. This can be broken down into several steps:

- Boundary condition definition
- Thermal design / modelling
- Thermal testing

5.3.1 Boundary Condition Definition

Using the knowledge of the system boundary conditions (such as, inlet air temperature, acoustic requirements, cost, design for manufacturing, package and socket mechanical specifications and chassis environmental test limits) the designer can make informed thermal solution design decisions.

The thermal boundary conditions for an ATX tower system are as follows:

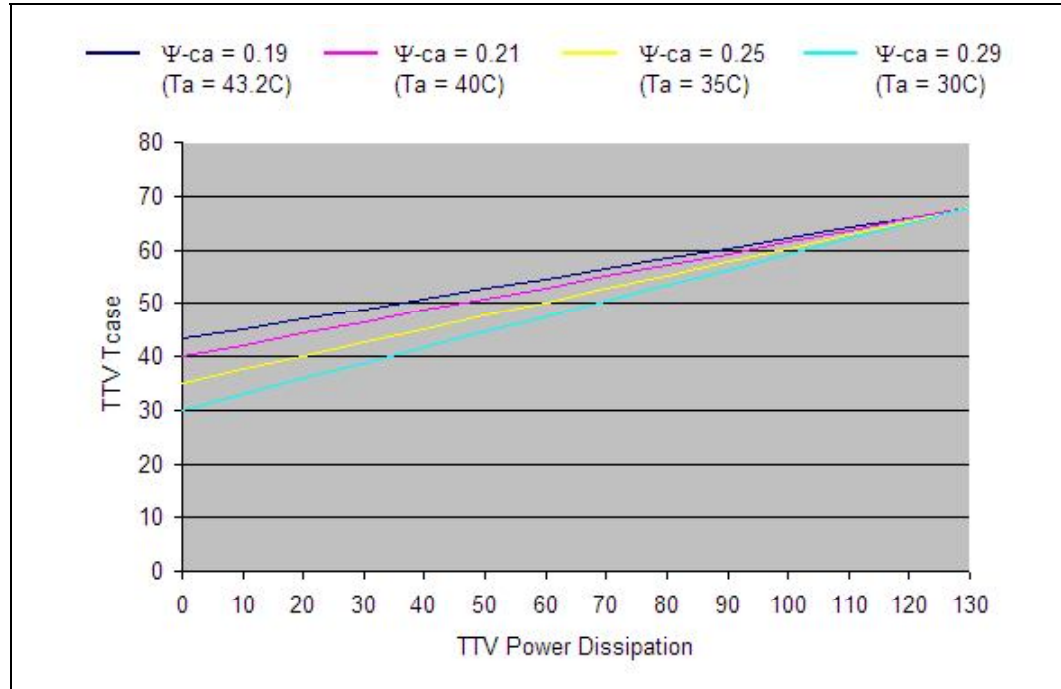
- $T_{EXTERNAL} = 35\text{ °C}$. This is typical of a maximum system operating environment
- $T_{RISE} = 4\text{ °C}$. This is typical of a chassis compliant to CAG 1.1
- $T_{AMBIENT} = 39\text{ °C}$ ($T_{AMBIENT} = T_{EXTERNAL} + T_{RISE}$)

Based on the system boundary conditions, the designer can select a $T_{AMBIENT}$ and Ψ_{CA} to use in thermal modelling. The assumption of a $T_{AMBIENT}$ has a significant impact on the required Ψ_{CA} needed to meet TTV $T_{CASEMAX}$ at TDP. A system that can deliver lower assumed $T_{AMBIENT}$ can utilize a design with a higher Ψ_{CA} , which can have a lower cost. Figure 5-4 shows a number of satisfactory solutions for the processor.



Note: If the assumed system T_{AMBIENT} is inappropriate for the intended system environment, the thermal solution performance may not be sufficient to meet the product requirements. The results may be excessive noise from fans having to operate at a speed higher than intended. In the worst case this can lead to performance loss with excessive activation of the Thermal Control Circuit (TCC).

Figure 5-4. Required Ψ_{CA} for various T_{AMBIENT} Conditions



Note: If an ambient of greater than 43.2 °C is necessary based on the boundary conditions a thermal solution with a Ψ_{CA} lower than 0.19 °C/W will be required.

5.3.2 Thermal Design and Modelling

Based on the boundary conditions the designer can now make the design selection of the thermal solution components. The major components that can be mixed are the fan, fin geometry, heat pipe or air cooled solid core design. There are cost and acoustic trade-offs the customer must make.

To aide in the design process Intel provides TTV thermal models. Consult your Intel Field Sales Engineer for these tools.



5.3.3 Thermal Solution Validation

5.3.3.1 Test for Compliance to the TTV Thermal Profile

This step is the same as previously suggested for prior products. The thermal solution is mounted on a test fixture with the TTV and tested at the following conditions:

- TTV is powered to the TDP condition
- Thermal solution fan operating at full speed
- T_{AMBIENT} at the boundary condition from [Section 5.3.1](#)

The following data is collected: TTV power, TTV T_{CASE} , and T_{AMBIENT} , and used to calculate Ψ_{CA} , which is defined as:

$$\Psi_{\text{CA}} = (\text{TTV } T_{\text{CASE}} - T_{\text{AMBIENT}}) / \text{Power}$$

This testing is best conducted on a bench to eliminate as many variables as possible when assessing the thermal solution performance. The boundary condition analysis as described in [Section 5.3.1](#) should help in making the bench test simpler to perform.

5.3.3.2 Thermal Solution Characterization for Fan Speed Control

The final step in thermal solution validation is to establish the thermal solution performance, Ψ_{CA} and acoustics as a function of fan speed. This data is necessary to allow the fan speed control algorithm developer to program the device. It also is needed to assess the expected acoustic impact of the processor thermal solution in the system.

The characterization data should be taken over the operating range of the fan. Using the RCFH5 as the example the fan is operational from 600 to 3500 RPM. The data was collected at several points and a curve was fit to the data see [Figure 5-5](#). Taking data at 6 evenly distributed fan speeds over the operating range should provide enough data to establish a 3-variable equation. By using the equation from the curve fitting a complete set of required fan speeds as a function of Ψ_{CA} be developed. The results from the reference thermal solution characterization are provided in [Table 5-1](#).

The fan speed control device may modulate the thermal solution fan speed (RPM) by one of two methods a pulse width modulation (PWM) signal or varying the voltage to the fan. As a result the characterization data needs to also correlate the RPM to PWM or voltage to the thermal solution fan. The fan speed algorithm developer needs to associate the output command from the fan speed control device with the required thermal solution performance as stated in [Table 5-1](#). Regardless of which control method is used, the term RPM will be used to indicate required fan speed in the rest of this document.

Note: When selecting a thermal solution from a thermal vendor, the characterization data should be requested directly from them as a part of their thermal solution collateral.

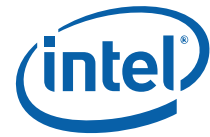
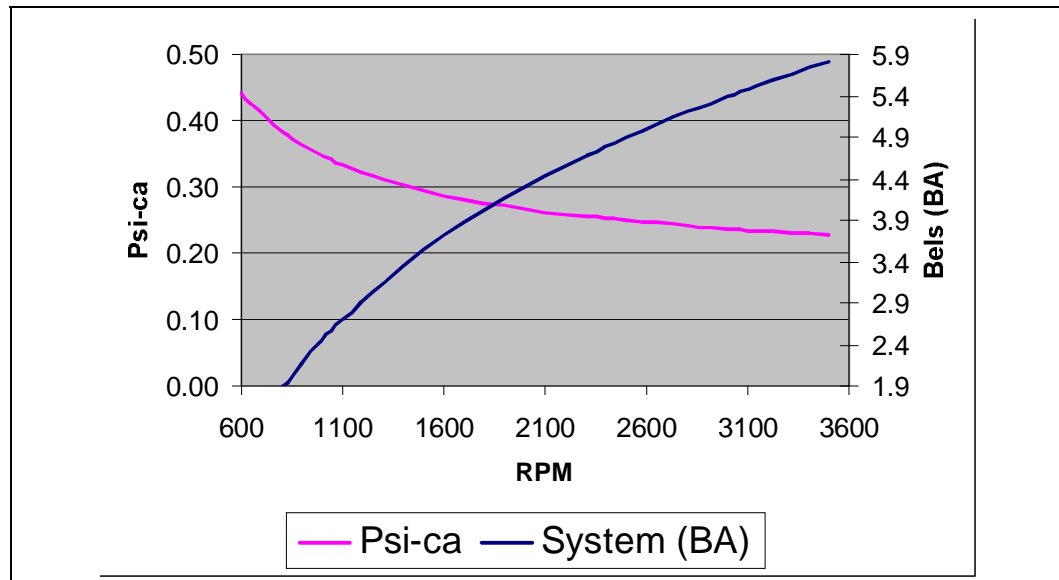


Figure 5-5. Thermal Solution Performance vs. Fan Speed



Note: This data is taken from the validation of the RCBF5 reference processor thermal solution. The Ψ_{CA} versus RPM data is available in [Table 5-1](#) at the end of this chapter.

5.4 Fan Speed Control (FSC) Design Process

The next step is to incorporate the thermal solution characterization data into the algorithms for the device controlling the fans.

As a reminder, the requirements are:

- When the DTS value is at or below $T_{CONTROL}$, the fans can be slowed down; just as with prior processors.
- When DTS is above $T_{CONTROL}$, FSC algorithms will use knowledge of $T_{AMBIENT}$ and Ψ_{CA} versus RPM to achieve the necessary level of cooling.

This chapter discusses two implementations. The first is a FSC system that is not provided the $T_{AMBIENT}$ information and a FSC system that is provided data on the current $T_{AMBIENT}$. Either method will result in a thermally compliant solution and some acoustic benefit by operating the processor closer to the thermal profile. But only the $T_{AMBIENT}$ aware FSC system can fully use the specification for optimized acoustic performance.

In the development of the FSC algorithm it should be noted that the $T_{AMBIENT}$ is expected to change at significantly slower rate than the DTS value. The DTS value will be driven by the workload on the processor and the thermal solution will be required to respond to this much more rapidly than the changes in $T_{AMBIENT}$.

An additional consideration in establishing the fan speed curves is to account for the thermal interface material performance degradation over time.

5.4.1 Fan Speed Control Algorithm without $T_{AMBIENT}$ Data

In a system that does not provide the FSC algorithm with the $T_{AMBIENT}$ information, the designer must make the following assumption:

- When the DTS value is greater than $T_{CONTROL}$ the $T_{AMBIENT}$ is at boundary condition derived in [Section 5.3.1](#).

This is consistent with our previous FSC guidance to accelerate the fan to full speed when the DTS value is greater than $T_{CONTROL}$. As will be shown below, the DTS thermal specification at $DTS = T_{CONTROL}$ can reduce some of the over cooling of the processor and provide an acoustic noise reduction from the processor thermal solution.

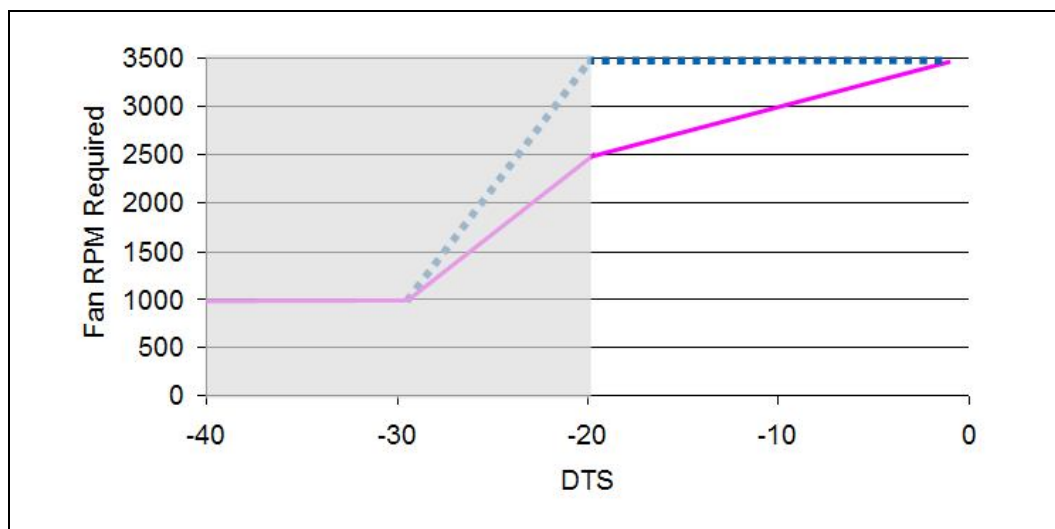
In this example the following assumptions are made:

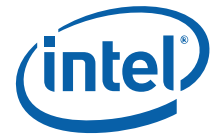
- $T_{AMBIENT} = 39\text{ }^{\circ}\text{C}$
- Thermal Solution designed / validated to a $39\text{ }^{\circ}\text{C}$ environment
- $T_{CONTROL} = -20$
- Reference processor thermal solution (RCFH5)
- Below $T_{CONTROL}$ the fan speed is slowed down as in prior products

For a processor specification based on a T_{CASE} thermal profile, when the DTS value is equal to or greater than $T_{CONTROL}$, the fan speed must be accelerated to full speed. For the reference thermal solution full speed is 3500 RPM (dashed line in [Figure 5-6](#)). The DTS thermal specification defines a required Ψ_{CA} and therefore the fan speed is 2500 RPM. This is much less than full speed even if the assumption is a $T_{AMBIENT} = 39\text{ }^{\circ}\text{C}$ (solid line in [Figure 5-6](#)). The shaded area displayed in [Figure 5-6](#) is where DTS values are less than $T_{CONTROL}$. For simplicity, the graph shows a linear acceleration of the fans from $T_{CONTROL} - 10$ to $T_{CONTROL}$ as has been Intel's guidance for simple fan speed control algorithms.

As the processor workload continues to increase, the DTS value will increase and the FSC algorithm will linearly increase the fan speed from the 2500 RPM at $DTS = -20$ to full speed at DTS value = -1 .

Figure 5-6. Fan Response Without $T_{AMBIENT}$ Data





5.4.2 Fan Speed Control Algorithm with $T_{AMBIENT}$ Data

In a system where the FSC algorithm has access to the $T_{AMBIENT}$ information and is capable of using the data the benefits of the DTS thermal specification become more striking.

As will be demonstrated below, there is still over cooling of the processor, even when compared to a nominally ambient aware thermal solution equipped with a thermistor. An example of these thermal solutions are the RCFH5 or the boxed processor thermal solutions. This over cooling translates into acoustic margin that can be used in the overall system acoustic budget.

In this example the following assumptions are made:

- $T_{AMBIENT} = 35\text{ }^{\circ}\text{C}$
- Thermal Solution designed / validated to a $39\text{ }^{\circ}\text{C}$ environment
- $T_{CONTROL} = -20$
- FSC device has access to $T_{AMBIENT}$
- Reference processor thermal solution (RCFH5)
- Below $T_{CONTROL}$ the fan speed is slowed down as in prior products

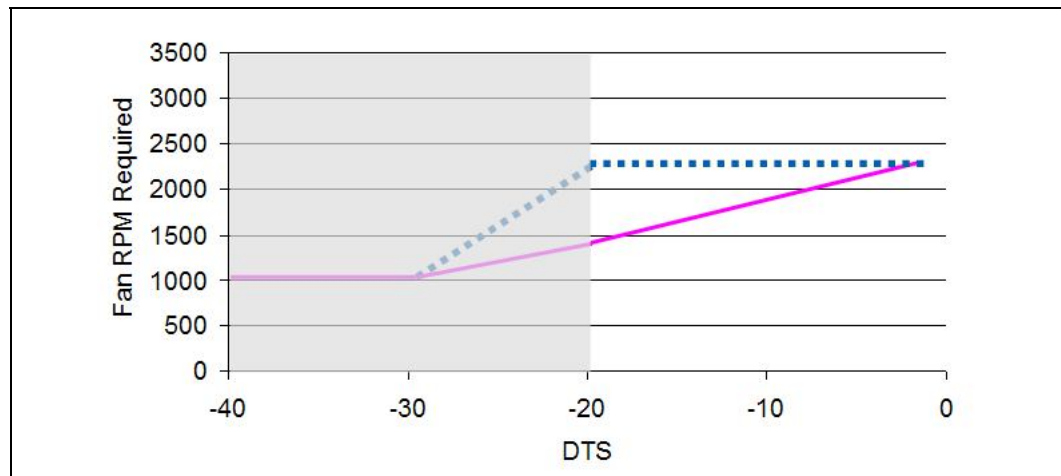
For a processor specification based on a T_{CASE} thermal profile, when the DTS value is equal to or greater than $T_{CONTROL}$, the fan speed is accelerated to maximum fan speed for the $T_{AMBIENT}$ as controlled by the thermistor in thermal solution. For the RCFH5, this would be about 2500 RPM at $35\text{ }^{\circ}\text{C}$. This is graphically displayed as the dashed line in Figure 5-7.

This is an improvement over the ambient unaware system but is not fully optimized for acoustic benefit. The DTS thermal specification required Ψ_{CA} and therefore the fan speed in this scenario is 1450 RPM. This is less than thermistor controlled speed of 2500 RPM - even if the assumption is a $T_{AMBIENT} = 35\text{ }^{\circ}\text{C}$. This is graphically displayed in Figure 5-7.

The shaded area displayed in Figure 5-7 is where DTS values are less than $T_{CONTROL}$. For simplicity, the graph shows a linear acceleration of the fans from $T_{CONTROL} - 10$ to $T_{CONTROL}$ as has been Intel's guidance for simple fan speed control algorithms.

As the processor workload continues to increase, the DTS value will increase and the FSC algorithm will linearly increase the fan speed from the 1450 RPM at DTS = -20 to 2250 RPM at DTS value = -1.

Figure 5-7. Fan Response with $T_{AMBIENT}$ Aware FSC





5.5 System Validation

System validation should focus on ensuring the fan speed control algorithm is responding appropriately to the DTS values and T_{AMBIENT} data as well as any other device being monitored for thermal compliance.

Since the processor thermal solution has already been validated using the TTV to the thermal specifications at the predicted T_{AMBIENT} , additional TTV based testing in the chassis is not expected to be necessary.

Once the heatsink has been demonstrated to meet the TTV Thermal Profile, it should be evaluated on a functional system at the boundary conditions.

In the system under test and Power/Thermal Utility Software set to dissipate the TDP workload confirm the following item:

- Verify if there is TCC activity by instrumenting the PROCHOT# signal from the processor. TCC activation in functional application testing is unlikely with a compliant thermal solution. Some very high power applications might activate TCC for short intervals this is normal.
- Verify fan speed response is within expectations - actual RPM (Ψ_{CA}) is consistent with DTS temperature and T_{AMBIENT} .
- Verify RPM vs. PWM command (or voltage) output from the FSC device is within expectations.
- Perform sensitivity analysis to assess impact on processor thermal solution performance and acoustics for the following:
 - Other fans in the system.
 - Other thermal loads in the system.

In the same system under test, run real applications that are representative of the expected end user usage model and verify the following:

- TCC activation is not occurring.
- Verify fan speed response vs. expectations as done using Power/Thermal Utility SW.
- Validate system boundary condition assumptions: Trise, venting locations, other thermal loads and adjust models / design as required.



5.6 Specification for Operation Where Digital Thermal Sensor Exceeds $T_{CONTROL}$

Table 5-1 is provided as reference for the development of thermal solutions and the fan speed control algorithm.

Table 5-1. Thermal Solution Performance above $T_{CONTROL}$

$T_{AMBIENT}^1$	Ψ_{CA} at $DTS = T_{CONTROL}^2$	RPM for Ψ_{CA} at $DTS = T_{CONTROL}^5$	Ψ_{CA} at $DTS = -1^3$	RPM for Ψ_{CA} at $DTS = -1^5$
43.2	0.190	N/A	0.190	N/A
42.0	0.206	N/A	0.199	N/A
41.0	0.219	N/A	0.207	N/A
40.0	0.232	3250	0.215	N/A
39.0	0.245	2600	0.222	3500
38.0	0.258	2200	0.230	3150
37.0	0.271	1900	0.238	2400
36.0	0.284	1700	0.245	2500
35.0	0.297	1450	0.253	2500
34.0	0.310	1300	0.261	2100
33.0	0.323	1200	0.268	1900
32.0	0.336	1100	0.276	1700
31.0	0.349	1000	0.284	1650
30.0	0.362	900	0.292	1550
29.0	0.375	850	0.299	1450
28.0	0.388	800	0.307	1350
27.0	0.401	700	0.315	1250
26.0	0.414	700	0.322	1200
25.0	0.427	650	0.330	1100
24.0	0.440	600	0.338	1050
23.0	0.453	600	0.345	1000
22.0	0.466	600	0.353	950
21.0	0.479	600	0.361	900
20.0	0.492	600	0.368	900
19.0	0.506	600	0.376	850
18.0	0.519	600	0.384	800

Notes:

- The ambient temperature is measured at the inlet to the processor thermal solution
- This column can be expressed as a function of $T_{AMBIENT}$ by the following equation:
 $\Psi_{CA} = 0.19 + (43.2 - T_{AMBIENT}) \times 0.013$
- This column can be expressed as a function of $T_{AMBIENT}$ by the following equation:
 $\Psi_{CA} = 0.19 + (43.2 - T_{AMBIENT}) \times 0.0077$
- This table is provided as a reference please consult the product specification for current values.
- Based on the testing performed a curve was fit to the data in the form
 $\Psi_{CA} = (1 + a \cdot RPM) / (b + c \cdot RPM)$ where
 $a = 0.000762, b = 0.667637, c = 004402$





6 Reference Thermal Solution

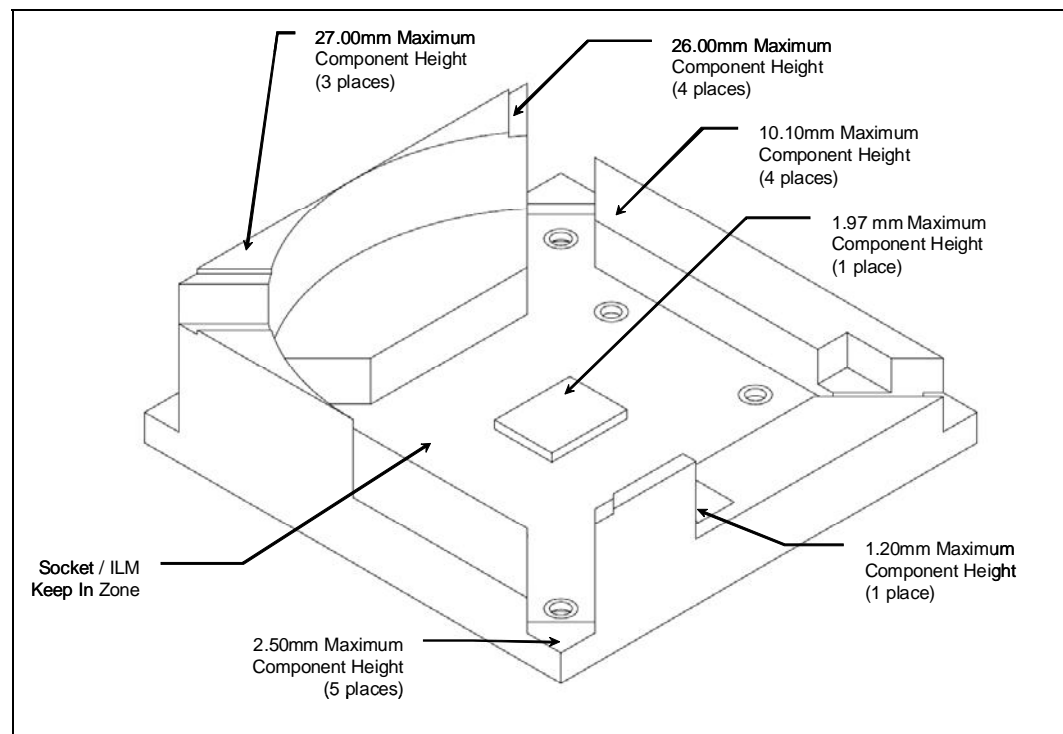
Note: The reference thermal mechanical solution information shown in this document represents the current state of the data and may be subject to modification. The information represents design targets, not commitments by Intel.

This chapter describes the overall requirements for the ATX reference thermal solution (Section 6.2) and reference heat pipe thermal solution (Section 6.3) including critical-to-function dimensions, operating environment, and validation criteria.

6.1 Geometric Envelope for the Intel® Reference Thermal Mechanical Design

Figure 6-1 shows a 3-D representation of the board component keep out for the reference thermal solution compliant to ATX form factor. A fully dimensioned drawing of the keepout information is available at Figure B-1 and Figure B-2 in Appendix B. A DXF version of these drawings is available as well as the 3-D model of the board level keep out zone is available. Contact your field sales representative for these documents.

Figure 6-1. ATX KOZ 3-D Model Primary Side (Top)





6.2 ATX Reference Thermal Solution

The design strategy is to use the design concepts from the prior Intel® Radial Curved Bifurcated Fin Heatsink Reference Design (Intel® RCBFH Reference Design) designed originally for the Intel® Pentium® 4 processors.

The maximum height of the ATX reference thermal solution above the motherboard is 71.12 mm [2.8 inches], and is compliant with the motherboard primary side height constraints defined in the *ATX Specification* and the *microATX Motherboard Interface Specification* found at <http://www.formfactors.org>.

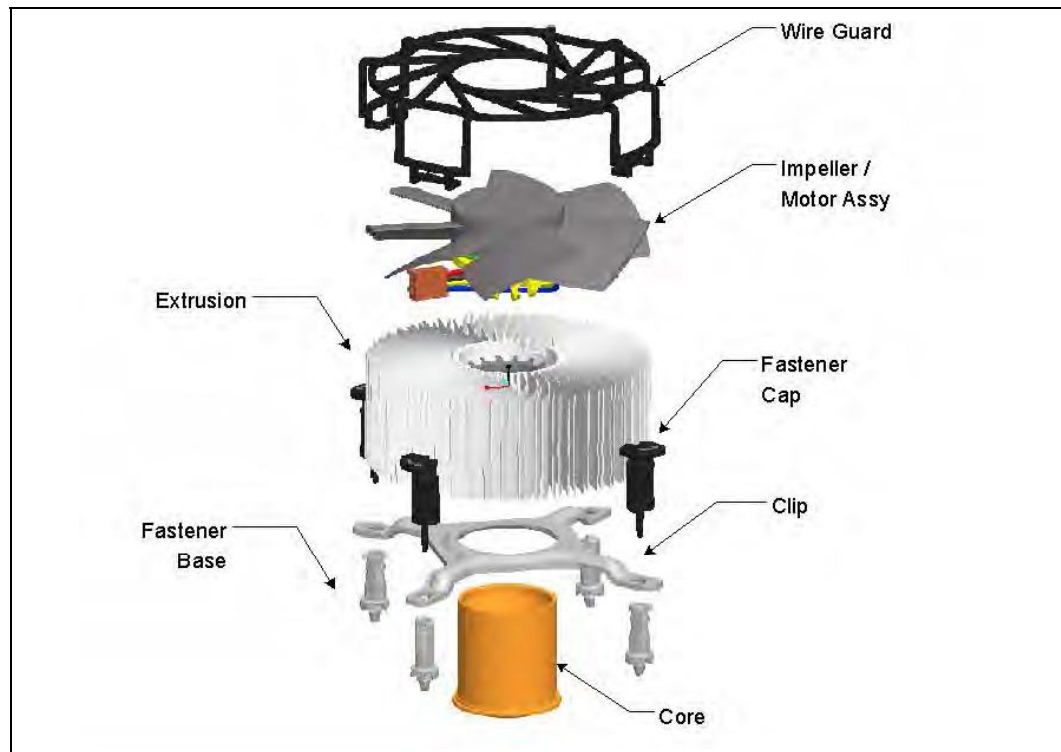
The reference thermal solution requires a chassis obstruction height of at least 81.28 mm [3.2 inches], measured from the top of the motherboard. This allows for appropriate fan inlet airflow to ensure fan performance, and therefore overall cooling solution performance. This is compliant with the recommendations found in both ATX Specification and microATX Motherboard Interface Specification documents.

6.2.1 Reference Thermal Solution Assembly

The reference thermal solution for the processor is an active fan solution similar to the prior designs for the Intel® Pentium® 4 processor and Intel® Core™2 Duo processor. The design uses a copper core with an aluminum extrusion. It attaches to the motherboard with a fastener design reused from the RCBFH3 and RCFH4. The clip design is new to span the larger size of the LGA1366. The thermal solution assembly requires no assembly prior to installation on a motherboard. [Figure 6-2](#) shows the reference thermal solution assembly in an exploded view.

The first step in assembling the thermal solution is to verify the fasteners are aligned to the mounting holes on the motherboard. The fasteners are pressed firmly to lock the thermal solution to the motherboard.

Figure 6-2. ATX Heatsink Reference Design Assembly



6.2.2 Heatsink Mass and Center of Gravity

- Total assembly mass ≤ 550 grams, excluding clip and fasteners.
- Total mass including clip and fasteners < 595 grams.
- Assembly center of gravity ≤ 25.4 mm, measured from the top of the IHS.

6.2.3 Thermal Interface Material

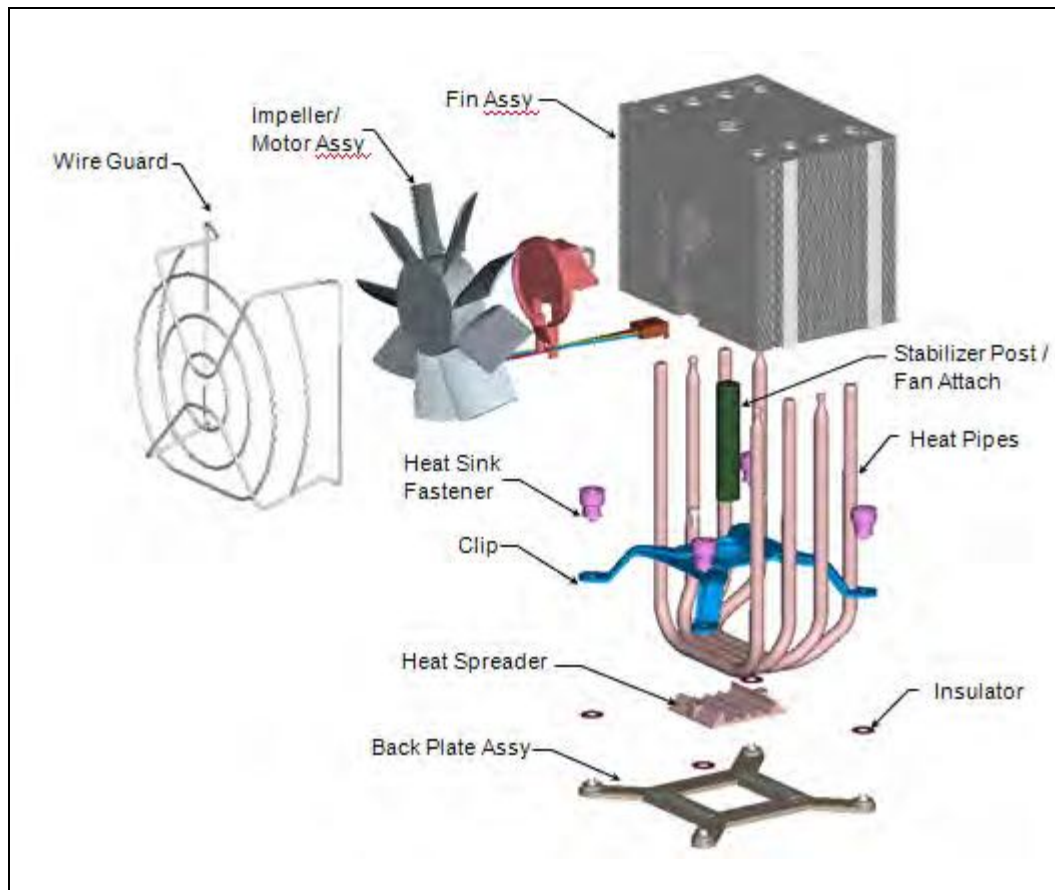
A thermal interface material (TIM) provides conductivity between the IHS and heat sink. The reference thermal solution uses Shin-Etsu G751*. The TIM application is 0.25 g, which will be a nominal 26 mm diameter (~ 1.0 inches).

6.3 Reference Heat Pipe Thermal Solution

6.3.1 Heat Pipe Thermal Solution Assembly

The reference heat pipe thermal solution for this processor is an active fan solution. The design consists of a copper heat spreader, 4 heat pipes and a aluminum stacked fins assembly. It attaches to motherboard using fasteners to a back plate assembly design on the secondary side of motherboard. The heat pipe thermal solution assembly requires the back plate assembly to be fixed on the secondary side of motherboard prior to installation. [Figure 6-3](#) shows the reference heat pipe thermal solution assembly in an exploded view.

Figure 6-3. Reference Heat Pipe Thermal Solution Assembly



6.3.2 Heatsink Mass and Center of Gravity

- Total assembly mass \leq 550 grams, excluding clip and fasteners.
- Total mass including clip and fasteners $<$ 600 grams.
- Assembly center of gravity \leq 63.0 mm, measured from the top of the IHS.

6.4 Absolute Processor Temperature

Intel does not test any third party software that reports absolute processor temperature. As such, Intel cannot recommend the use of software that claims this capability. Since there is part-to-part variation in the TCC (thermal control circuit) activation temperature, use of software that reports absolute temperature can be misleading.

See the processor datasheet for details regarding use of IA32_TEMPERATURE_TARGET register to determine the minimum absolute temperature at which the TCC will be activated and PROCHOT# will be asserted.

§



7 Thermal Solution Quality and Reliability Requirements

7.1 Reference Heatsink Thermal Verification

Each motherboard, heatsink and attach combination may vary the mechanical loading of the component. Based on the end user environment, the user should define the appropriate reliability test criteria and carefully evaluate the completed assembly prior to use in high volume. The Intel reference thermal solution will be evaluated to the boundary conditions in [Table 7-1](#).

The test results, for a number of samples, are reported in terms of a worst-case mean + 3σ value for thermal characterization parameter using real processors (based on the TTV correction offset).

7.2 Mechanical Environmental Testing

The Intel reference heatsinks will be tested in an assembled condition, along with the LGA1366. Details of the Environmental Requirements, and associated stress tests, can be found in [Table 7-1](#) are based on speculative use condition assumptions, and are provided as examples only.

Table 7-1. Use Conditions (Board Level)

Test ¹	Requirement	Pass/Fail Criteria ²
Mechanical Shock	3 drops each for + and - directions in each of 3 perpendicular axes (that is, total 18 drops) Profile: 50 g, Trapezoidal waveform, 4.3 m/s [170 in/s] minimum velocity change	Visual Check and Electrical Functional Test
Random Vibration	Duration: 10 min./axis, 3 axes Frequency Range: 5 Hz to 500 Hz Power Spectral Density (PSD) Profile: 3.13 g RMS	Visual Check and Electrical Functional Test

Notes:

1. It is recommended that the above tests be performed on a sample size of at least ten assemblies from multiple lots of material.
2. Additional pass/fail criteria may be added at the discretion of the user.

7.2.1 Recommended Test Sequence

Each test sequence should start with components (that is, baseboard, heatsink assembly, etc.) that have not been previously submitted to any reliability testing.

Prior to the mechanical shock & vibration test, the units under test should be preconditioned for 72 hours at 45 °C. The purpose is to account for load relaxation during burn-in stage.

The test sequence should always start with a visual inspection after assembly, and BIOS/Processor/memory test. The stress test should be then followed by a visual inspection and then BIOS/Processor/memory test.



7.2.2 Post-Test Pass Criteria

The post-test pass criteria are:

1. No significant physical damage to the heatsink and retention hardware.
2. Heatsink remains seated and its bottom remains mated flatly against the IHS surface. No visible gap between the heatsink base and processor IHS. No visible tilt of the heatsink with respect to the retention hardware.
3. No signs of physical damage on baseboard surface due to impact of heatsink.
4. No visible physical damage to the processor package.
5. Successful BIOS/Processor/memory test of post-test samples.
6. Thermal compliance testing to demonstrate that the case temperature specification can be met.

7.2.3 Recommended BIOS/Processor/Memory Test Procedures

This test is to ensure proper operation of the product before and after environmental stresses, with the thermal mechanical enabling components assembled. The test shall be conducted on a fully operational baseboard that has not been exposed to any battery of tests prior to the test being considered.

Testing setup should include the following components, properly assembled and/or connected:

- Appropriate system baseboard.
- Processor and memory.
- All enabling components, including socket and thermal solution parts.

The pass criterion is that the system under test shall successfully complete the checking of BIOS, basic processor functions and memory, without any errors. *Intel PC Diags* is an example of software that can be used for this test.

7.3 Material and Recycling Requirements

Material shall be resistant to fungal growth. Examples of non-resistant materials include cellulose materials, animal and vegetable based adhesives, grease, oils, and many hydrocarbons. Synthetic materials, such as PVC formulations, certain polyurethane compositions (such as, polyester and some polyethers), plastics which contain organic fillers of laminating materials, paints, and varnishes also are susceptible to fungal growth. If materials are not fungal growth resistant, then MIL-STD-810E, Method 508.4 must be performed to determine material performance.

Material used shall not have deformation or degradation in a temperature life test.

Any plastic component exceeding 25 grams should be recyclable per the European Blue Angel recycling standards.

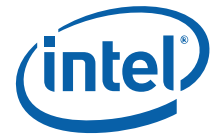
The following definitions apply to the use of the terms lead-free, Pb-free, and RoHS compliant.

Lead-free and Pb-free: Lead has not been intentionally added, but lead may still exist as an impurity below 1000 ppm.

RoHS compliant: Lead and other materials banned in RoHS Directive are either (1) below all applicable substance thresholds as proposed by the EU or (2) an approved/pending exemption applies.

Note: RoHS implementation details are not fully defined and may change.

§



A Component Suppliers

Note: The part numbers listed below identifies the reference components. End-users are responsible for the verification of the Intel enabled component offerings with the supplier. These vendors and devices are listed by Intel as a convenience to Intel's general customer base. However, Intel does not make any representations or warranties whatsoever regarding quality, reliability, functionality, or compatibility of these devices. Customers are responsible for thermal, mechanical, and environmental validation of these solutions. This list and/or these devices may be subject to change without notice.

Table A-1. Reference Heatsink Enabled Components

Item ¹	Intel PN	AVC	Delta	Nidec	ITW	CCI
Reference Heatsink Assembly (RCBF5) (Core, Fan, Extrusion, TIM)	D95135-005	Z1ML005001	N/A	N/A	N/A	N/A
Boxed Heatsink Assembly (DBX-A)	E31964-001	N/A	E31964-001	N/A	N/A	N/A
Boxed Heatsink Assembly (DBA-A)	E29477-002	N/A	E29477-002	E29477-002	N/A	N/A
Clip (RCBF5)	D94152-002	A208000308	N/A	N/A	N/A	N/A
Fastener	Base: C33389 Cap: C33390	N/A	N/A	N/A	Base: C33389 Cap: C33390	N/A
Reference Heat Pipe Heatsink Assembly (Fin Assembly, Clip Assembly, Back Plate Assembly, Wire Guard)	E60813	N/A	N/A	N/A	N/A	00C99400101
Heat Pipe Thermal Solution Assembly (DBX-B)	E75476-002	N/A	N/A	F10T12MS3Z9-18A01A1	N/A	N/A
Heat Pipe Heatsink Clip Assembly	E60815	N/A	N/A	N/A	N/A	335C99400201
Heat Pipe Heatsink Back Plate Assembly	E60824	N/A	N/A	N/A	N/A	335C99400101
Heat Pipe Heatsink Wire Guard	E60823	N/A	N/A	N/A	N/A	00C99410101

NOTE:

1. The enabled components may not be currently available from suppliers. Contact the supplier directly to verify time of component availability.



Table A-2. LGA1366 Socket and ILM Components

Item	Intel PN	Foxconn	Tyco	Molex	Lotes
LGA1366 Socket	D86205-002	PE136627-4371-01F	1939737-1	475943001	NA
LGA1366 ILM	D92428-003	PT44L13-4102	1554105-1	475939000	ACA-ZIF-066-Y01
LGA1366 ILM with Cover	G13666-001	PT44L13-4111	1-1554105-1	475939070	ACA-ZIF-128-Y01
LGA1366 ILM Cover	G14954-001	O12-1000-5776	1-2134711-1	475930403	ACA-ZIF-127-P01
LGA1366 ILM Back Plate	D92430-001	PT44P11-4104	1939739-1	475937000	DCA-HSK-131-Y01

Table A-3. Supplier Contact Information

Supplier	Contact	Phone	Email
AVC (Asia Vital Components Co., Ltd.)	Kai Chang	+86 755 3366 8888 x63588	kai_chang@avc.com.tw
CCI (Chaun Choung Technology Corp.)	Monica Chih	+886-2-29952666 x1131	monica_chih@ccic.com.tw
Foxconn	Julia Jiang	+1 408 919 6178	juliaj@foxconn.com
ITW Fastex	Roger Knell	+1 773 307 9035	rknell@itwfastex.com
Lotes	Cathy Yang	+86-20-84686519 x219	cathy@lotes.com.cn
Molex	Carol Liang	+86-21-504-80889 x3301	carol.liang@molex.com
Nidec	Karl Mattson	+1 360 666 2445	karl.mattson@nidec.com
Tyco	Billy Hsieh	+81 44 844 8292	billy.hsieh@tycoelectronics.com

The enabled components may not be currently available from all suppliers. Contact the supplier directly to verify time of component availability.

S



B Mechanical Drawings

Table B-1 lists the mechanical drawings included in this appendix.

Table B-1. Mechanical Drawing List

Drawing Description	Figure Number
"Socket / Heatsink / ILM Keepout Zone Primary Side (Top)"	Figure B-1
"Socket / Heatsink / ILM Keepout Zone Secondary Side (Bottom)"	Figure B-2
"Socket / Processor / ILM Keepout Zone Primary Side (Top)"	Figure B-3
"Socket / Processor / ILM Keepout Zone Secondary Side (Bottom)"	Figure B-4
"Reference Heatsink Assembly (RCBF5) (1 of 2)"	Figure B-5
"Reference Heatsink Assembly (RCBF5) (2 of 2)"	Figure B-6
"Reference Fastener (1 of 4)"	Figure B-7
"Reference Fastener (2 of 4)"	Figure B-8
"Reference Fastener (3 of 4)"	Figure B-9
"Reference Fastener (4 of 4)"	Figure B-10
"Reference Clip (RCBF5) (1 of 2)"	Figure B-11
"Reference Clip (RCBF5) (2 of 2)"	Figure B-12
"Reference Heat Pipe Heatsink Assembly"	Figure B-13

Figure B-1. Socket / Heatsink / ILM Keepout Zone Primary Side (Top)

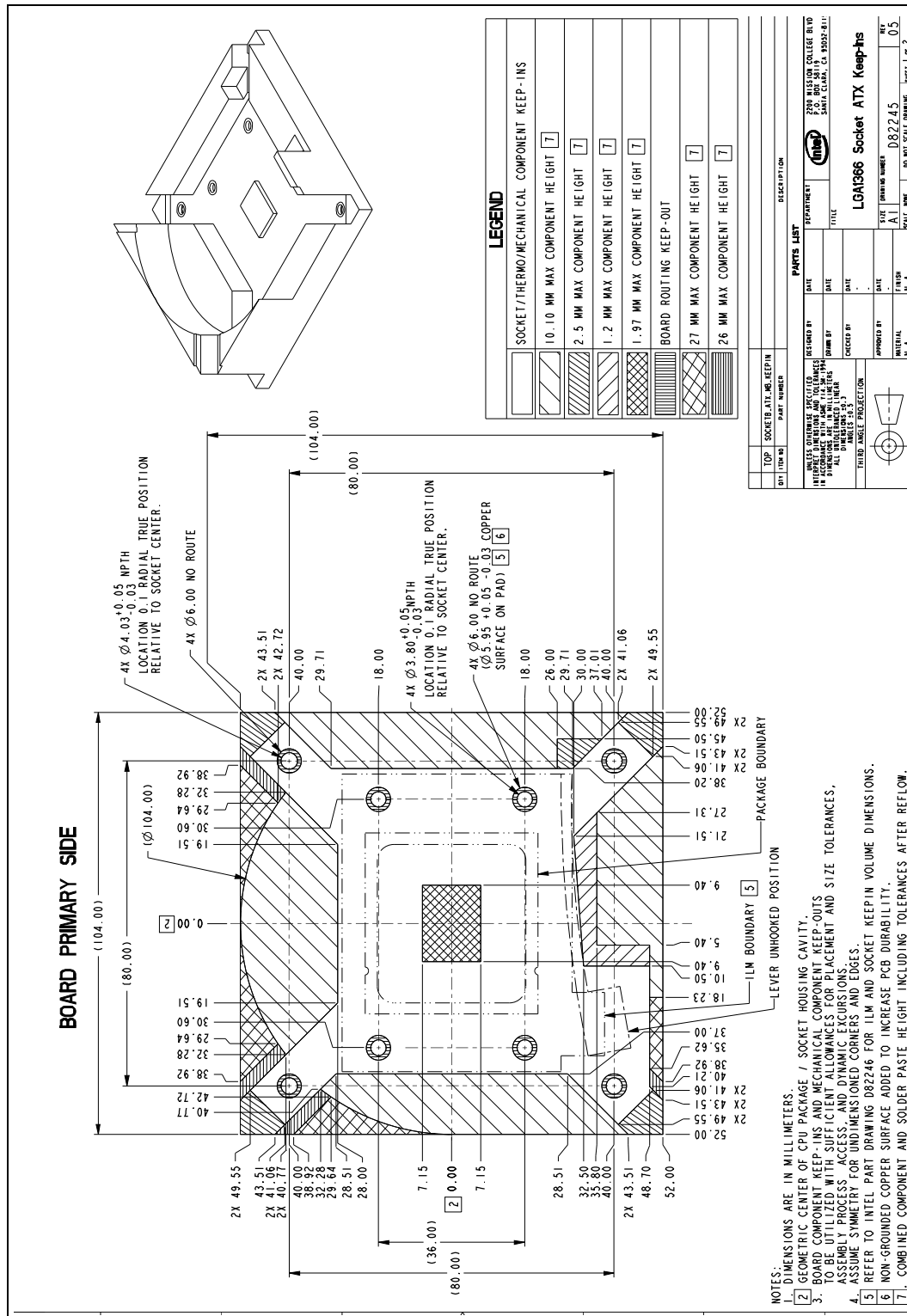




Figure B-2. Socket / Heatsink / ILM Keepout Zone Secondary Side (Bottom)

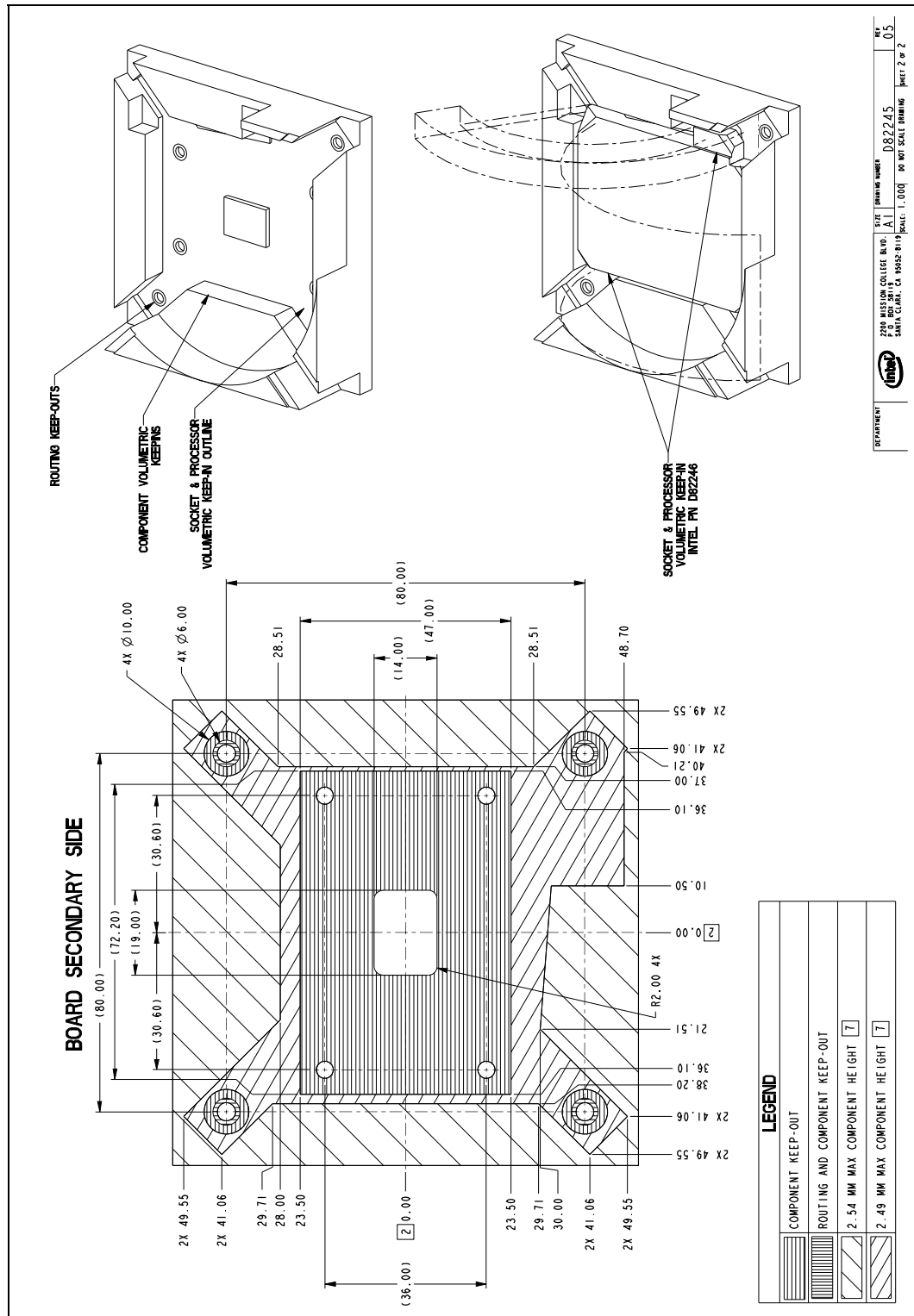


Figure B-3. Socket / Processor / ILM Keepout Zone Primary Side (Top)

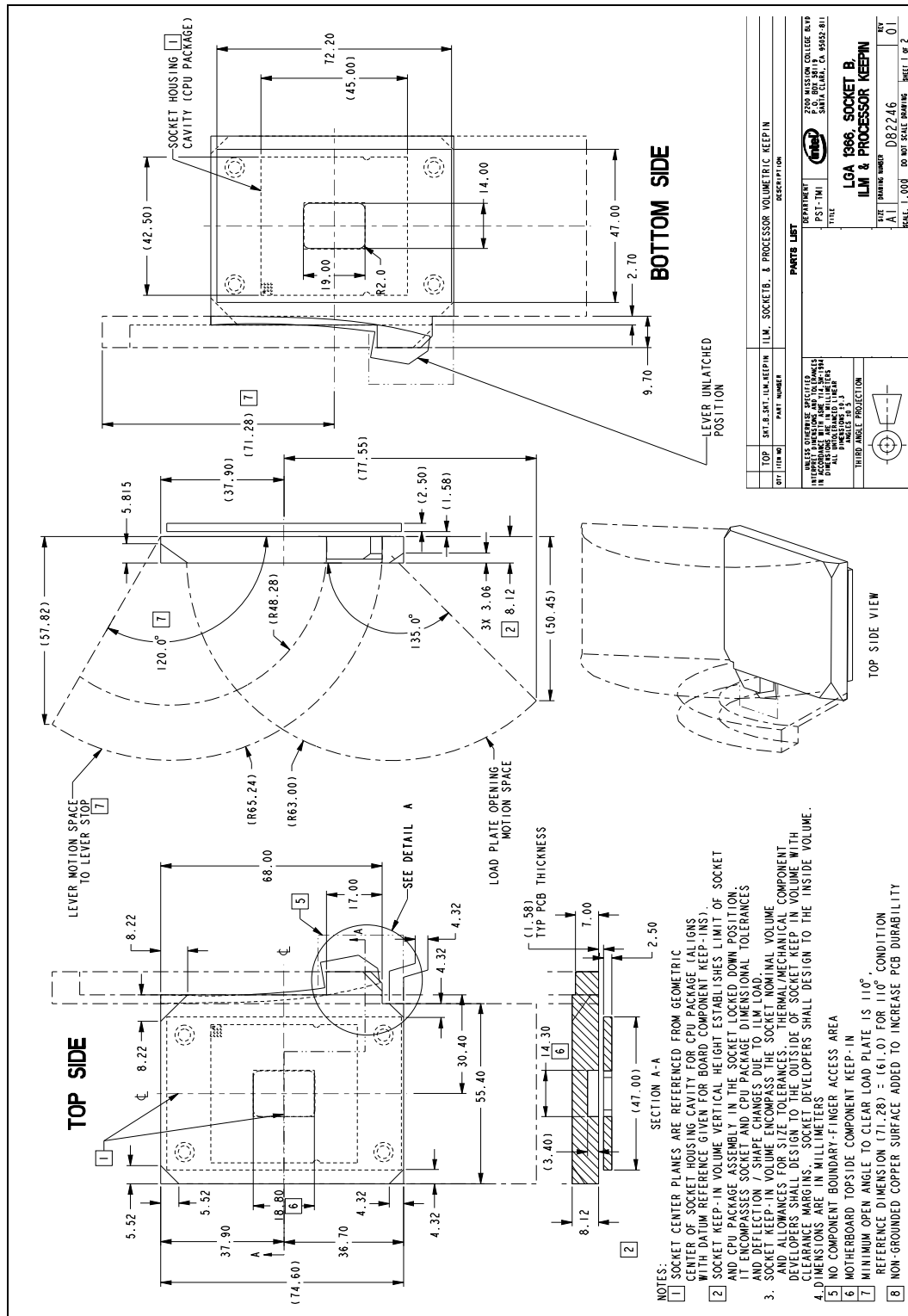




Figure B-4. Socket / Processor / ILM Keepout Zone Secondary Side (Bottom)

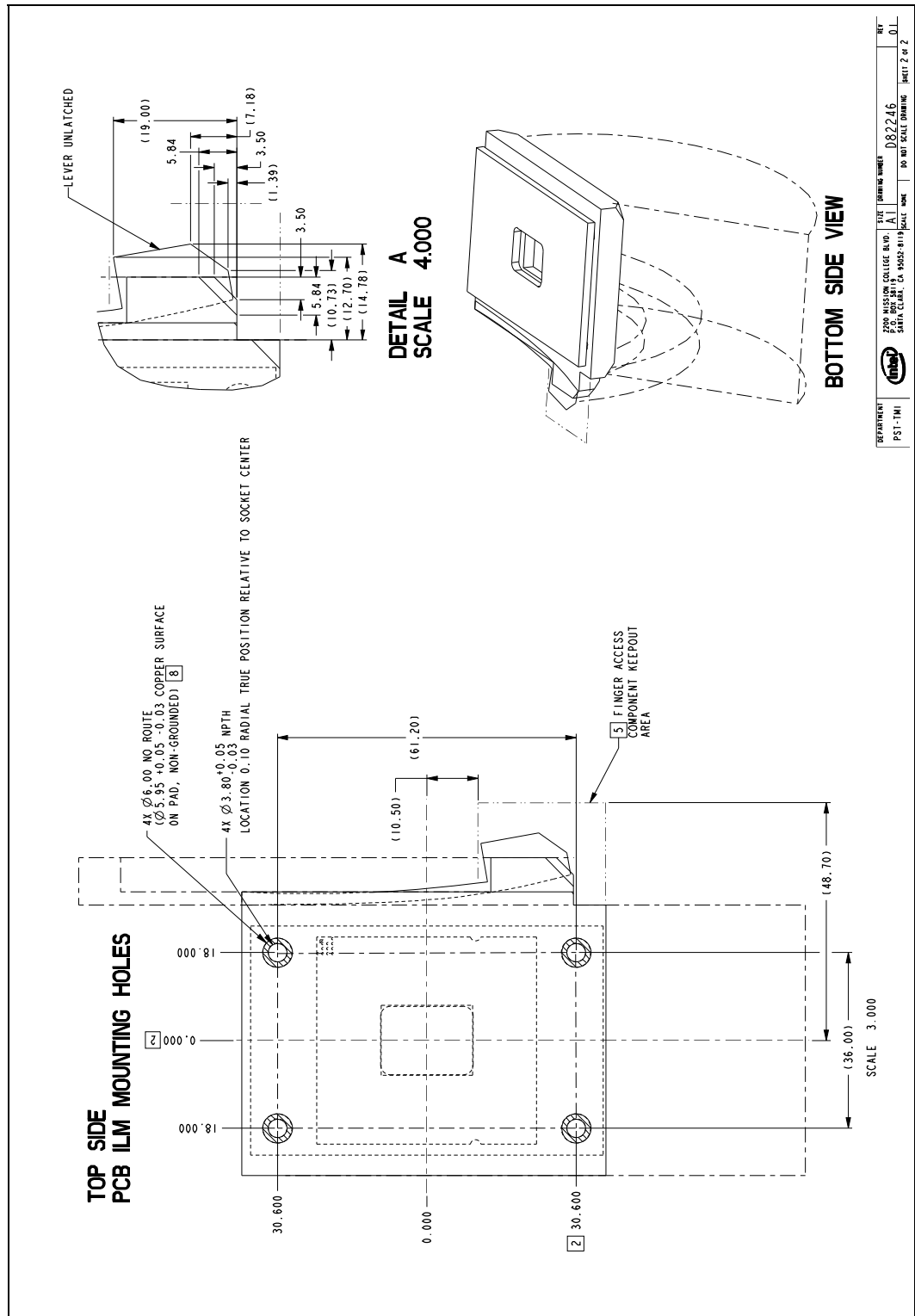


Figure B-5. Reference Heatsink Assembly (RCBF5) (1 of 2)

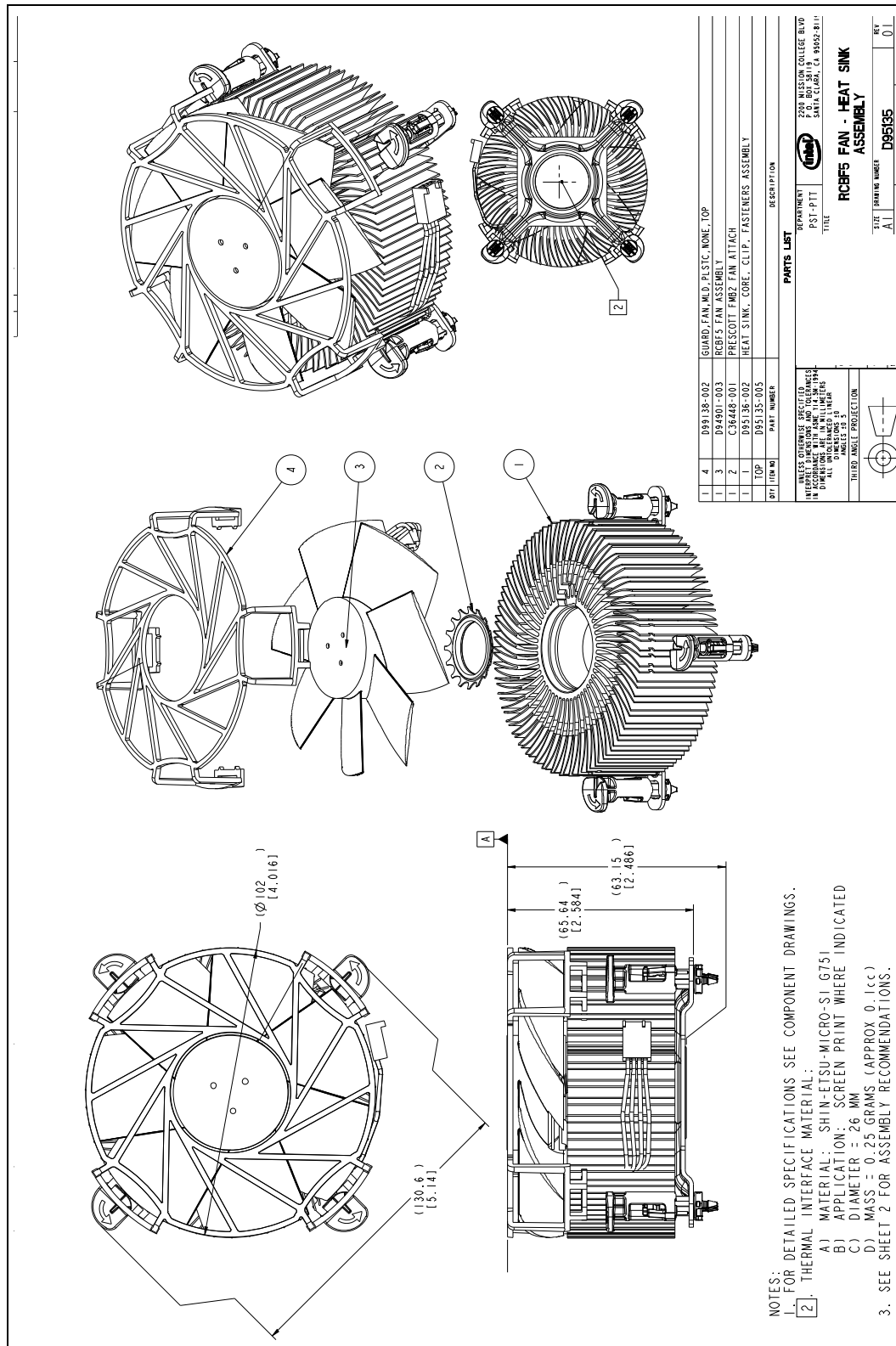


Figure B-6. Reference Heatsink Assembly (RCBF5) (2 of 2)

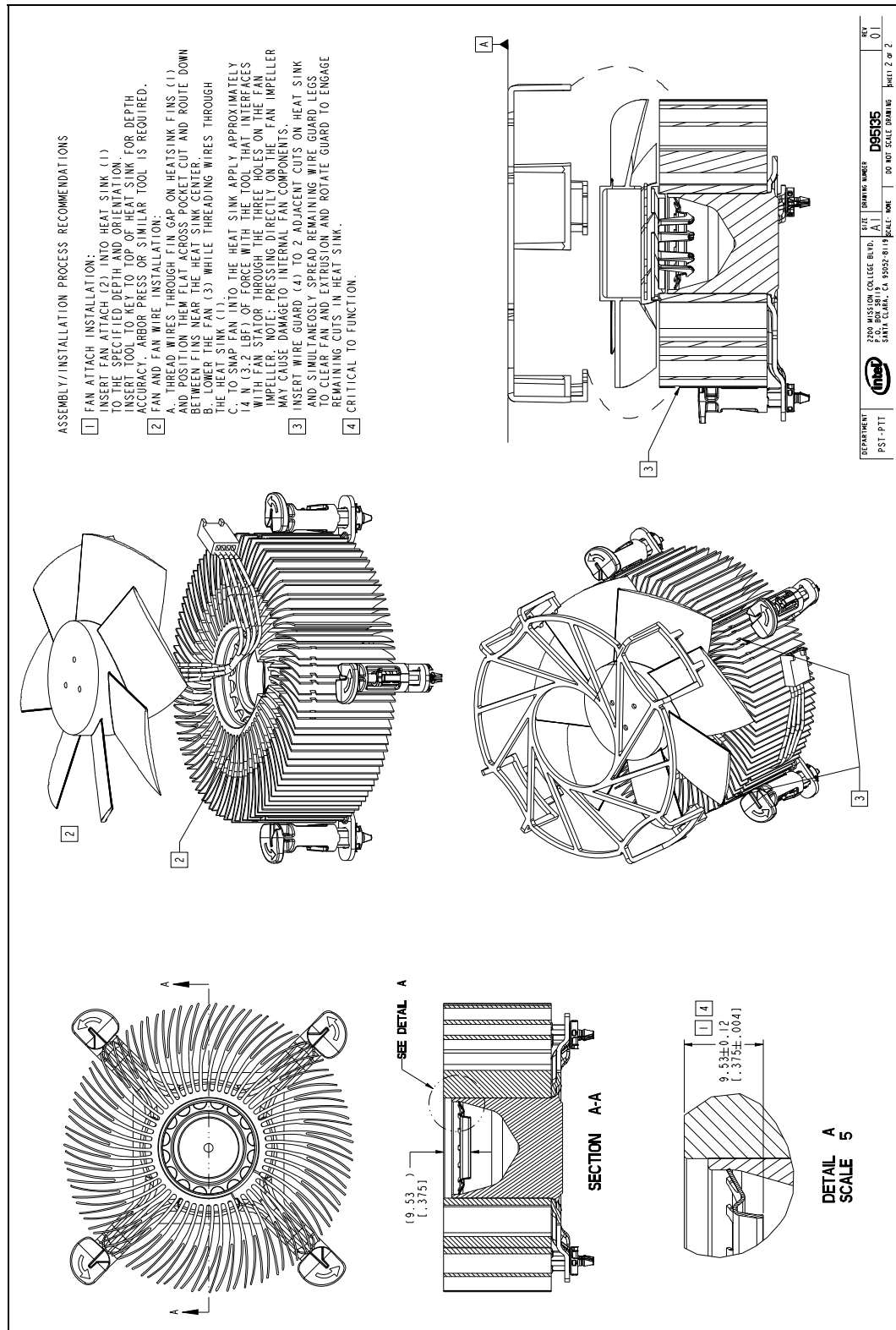


Figure B-10. Reference Fastener (4 of 4)

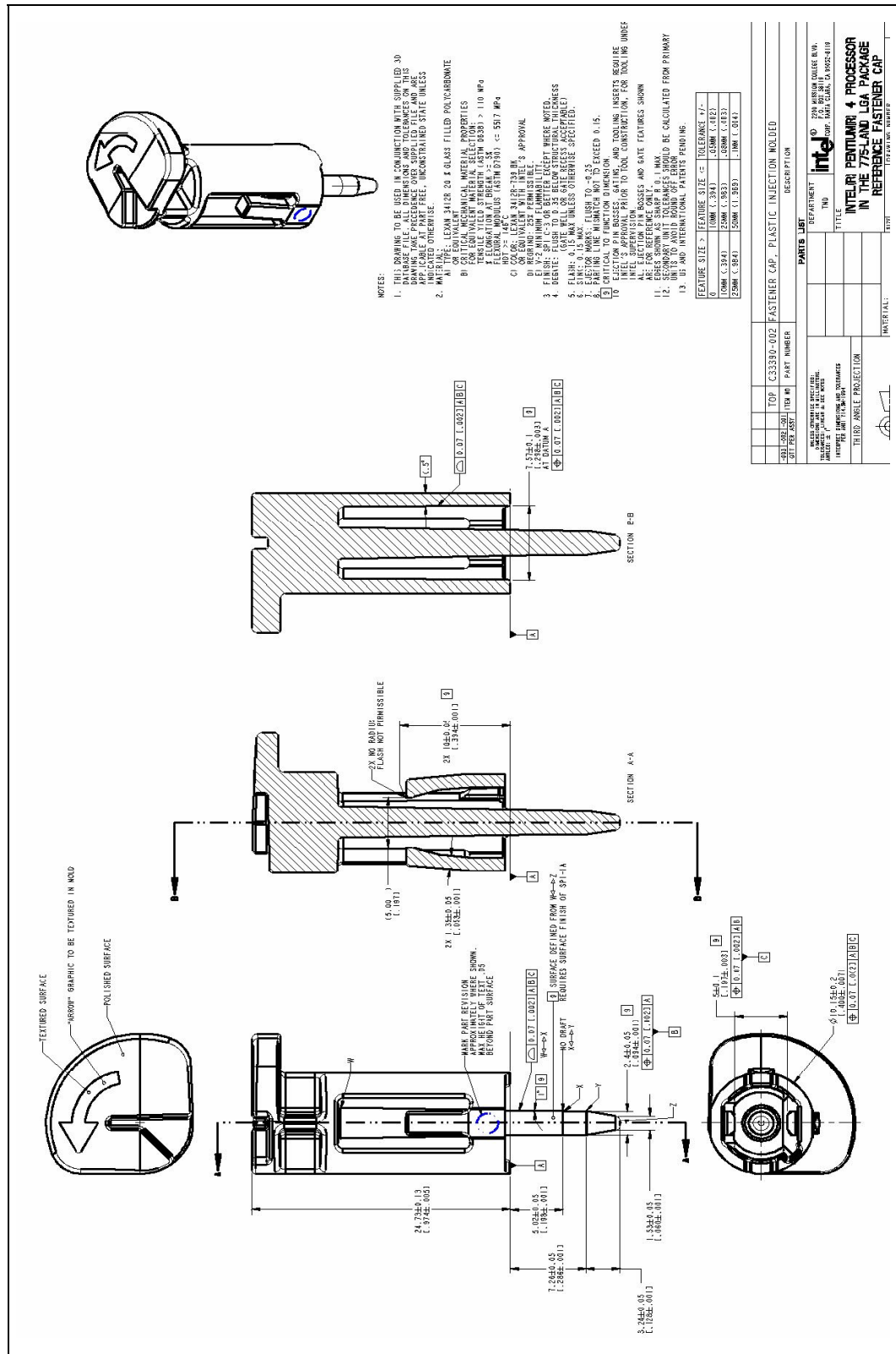


Figure B-11. Reference Clip (RCBF5) (1 of 2)

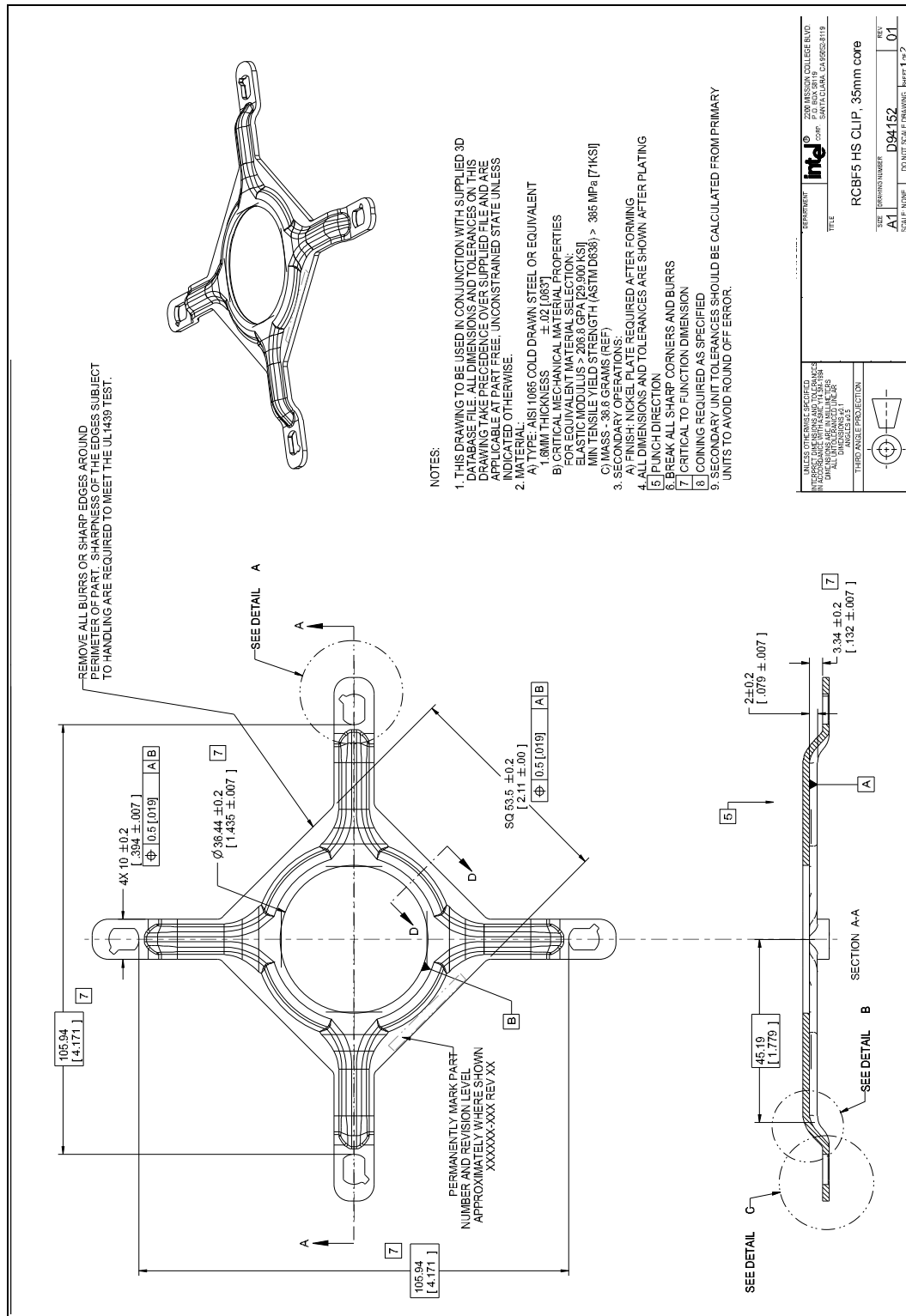
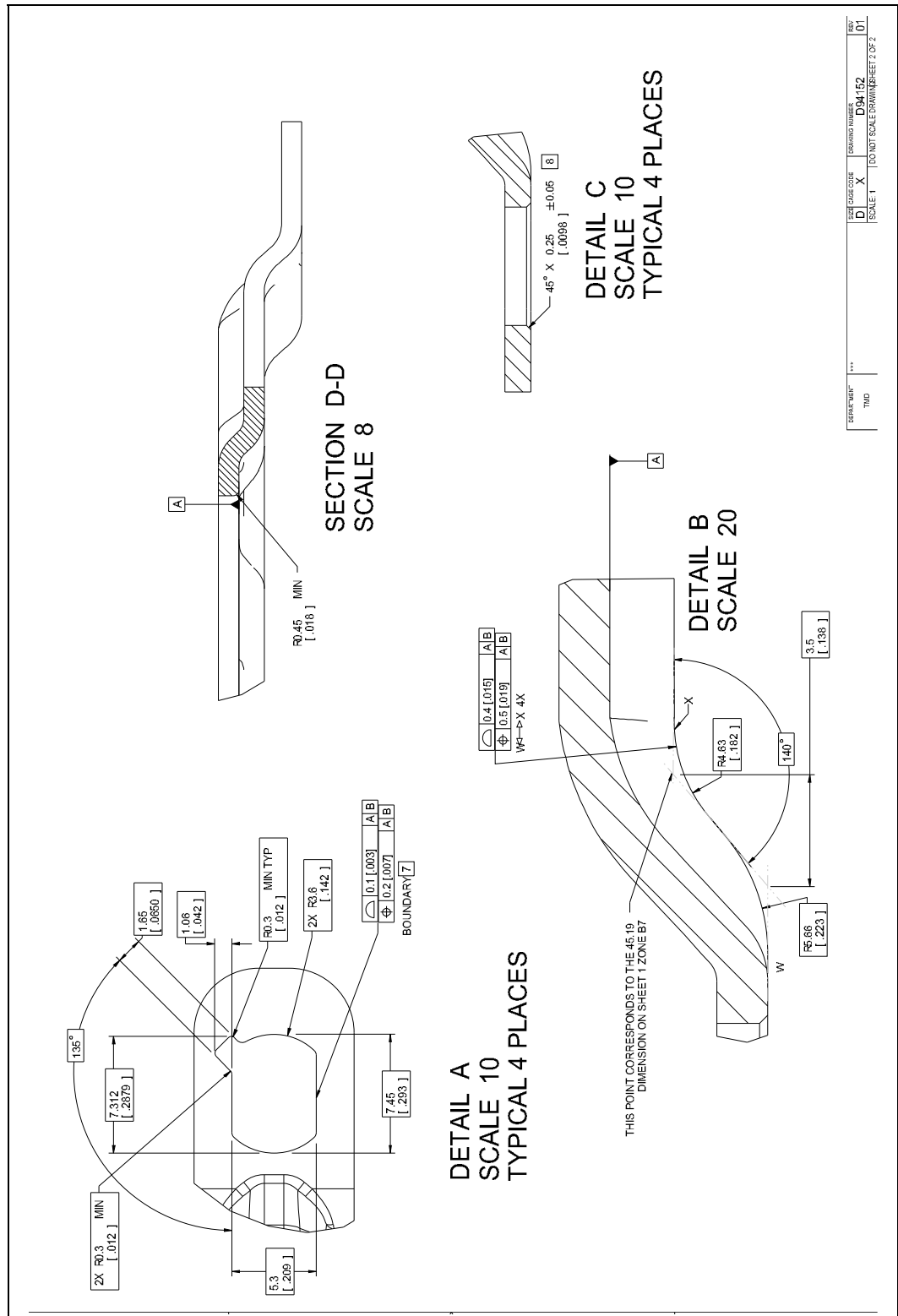




Figure B-12. Reference Clip (RCBF5) (2 of 2)





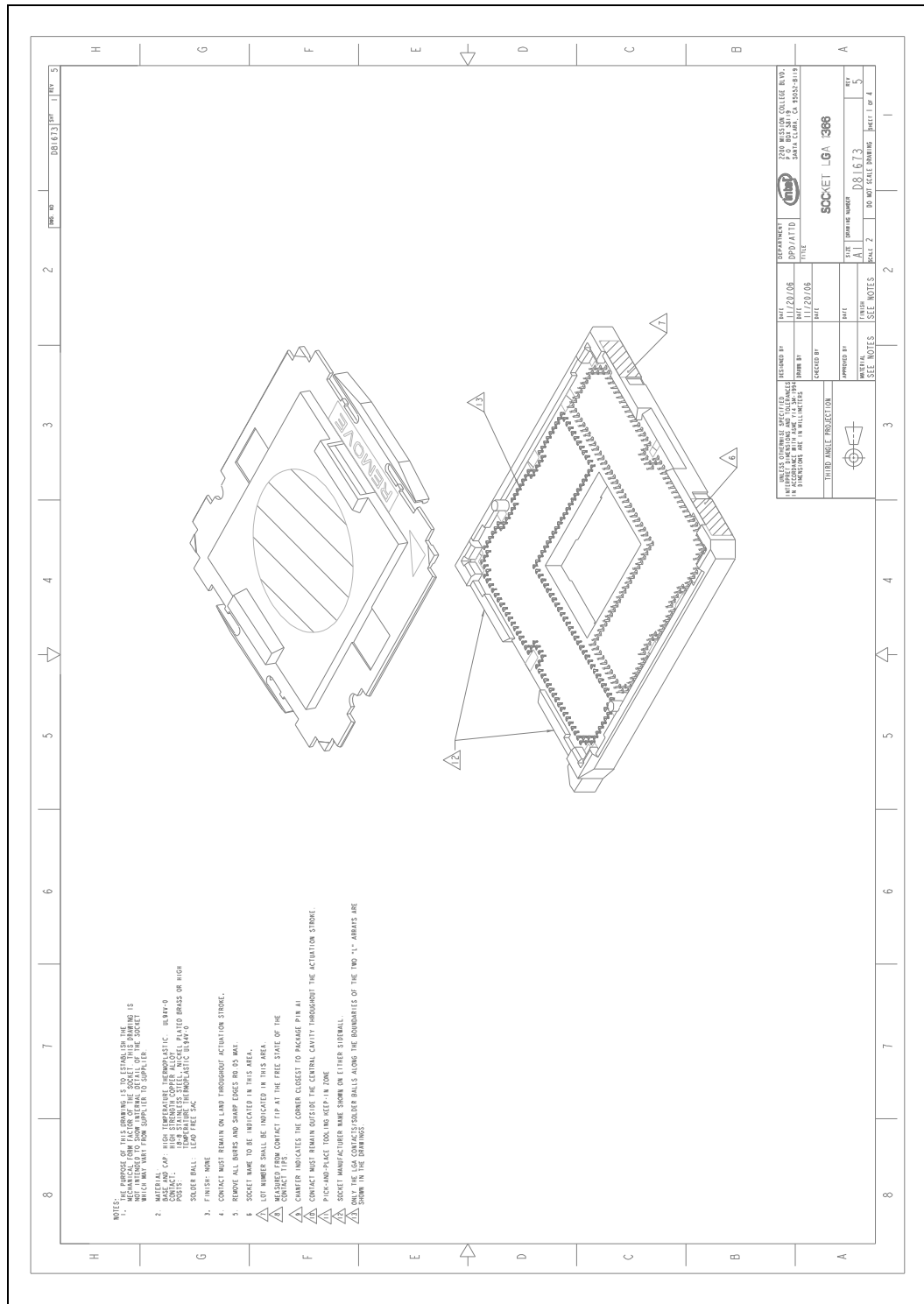
C Socket Mechanical Drawings

Table C-1 lists the mechanical drawings included in this appendix.

Table C-1. Mechanical Drawing List

Drawing Description	Figure Number
"Socket Mechanical Drawing (Sheet 1 of 4)"	Figure C-1
"Socket Mechanical Drawing (Sheet 2 of 4)"	Figure C-2
"Socket Mechanical Drawing (Sheet 3 of 4)"	Figure C-3
"Socket Mechanical Drawing (Sheet 4 of 4)"	Figure C-4

Figure C-1. Socket Mechanical Drawing (Sheet 1 of 4)







D Processor Installation Tool

The following optional tool is designed to provide mechanical assistance during processor installation and removal.

Contact the supplier for availability:

Table D-1. Supplier Contact Information for Processor Installation Tool

Supplier	Contact	Phone	Email
Tyco	Billy Hsieh	+81-44-844-8292	billy.hsieh@tycoelectronics.com

